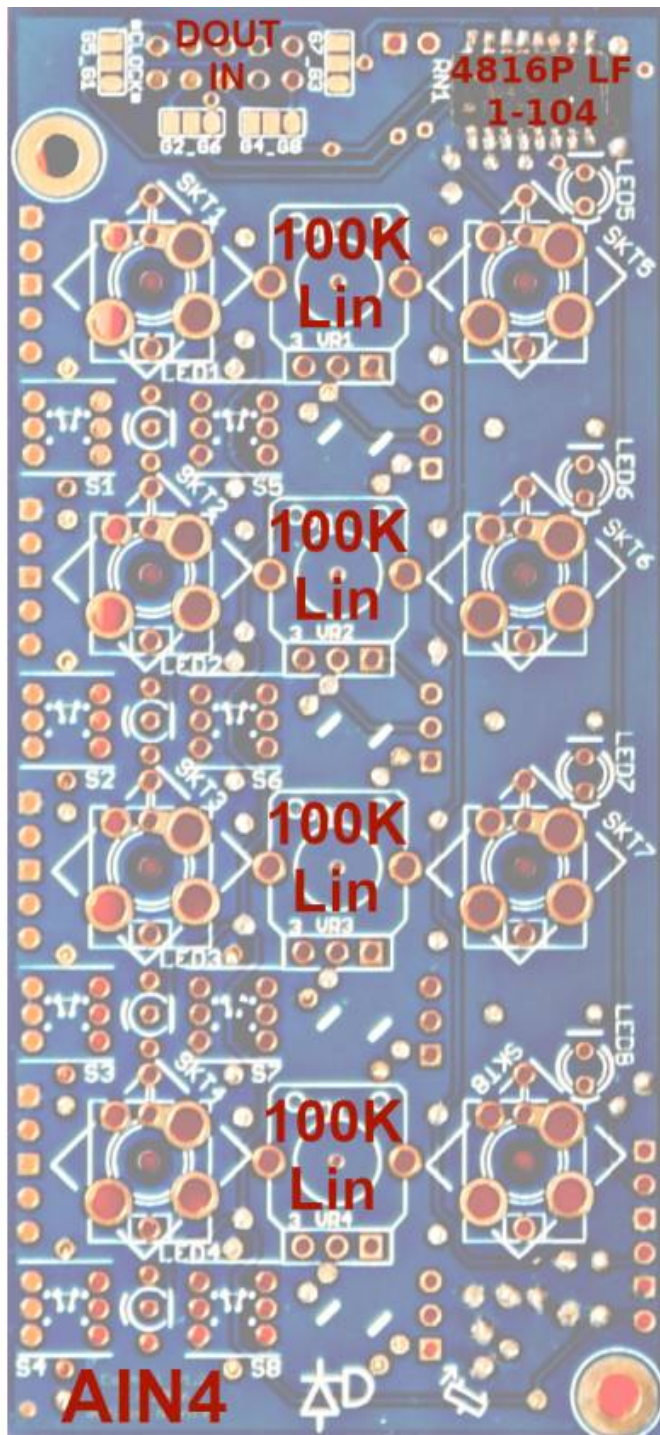
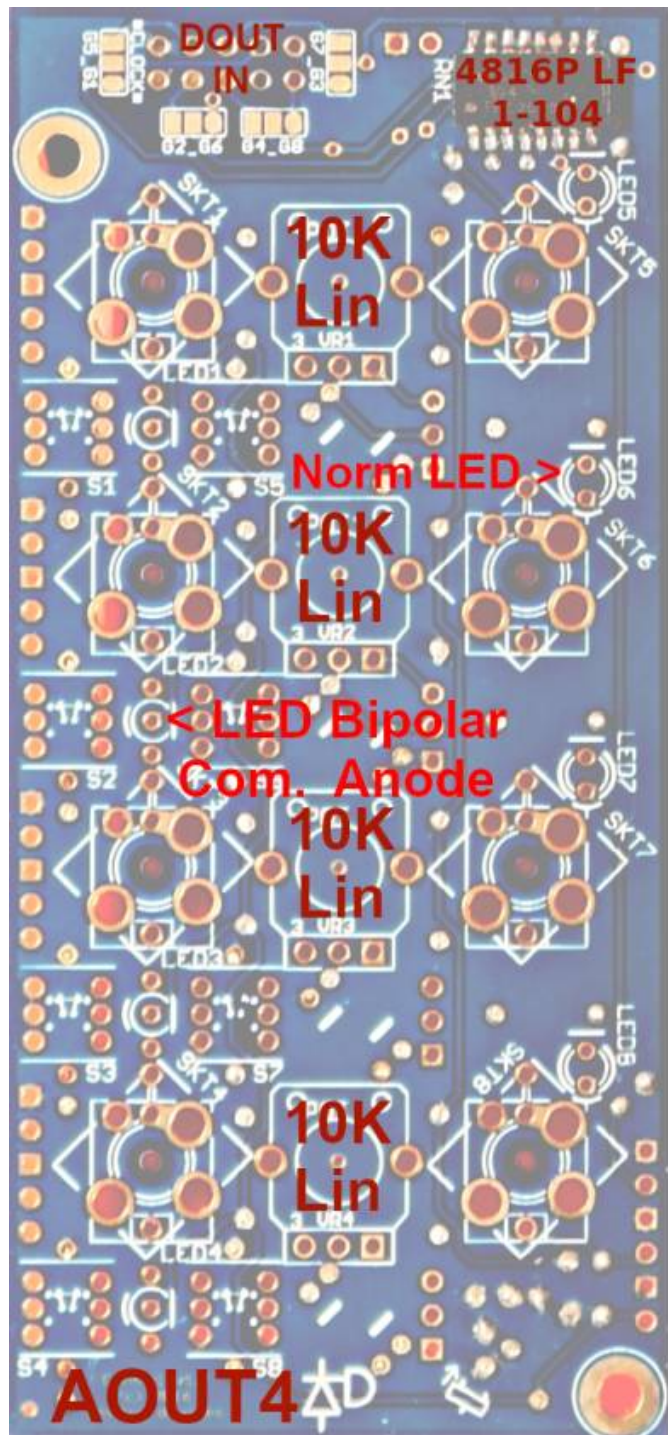
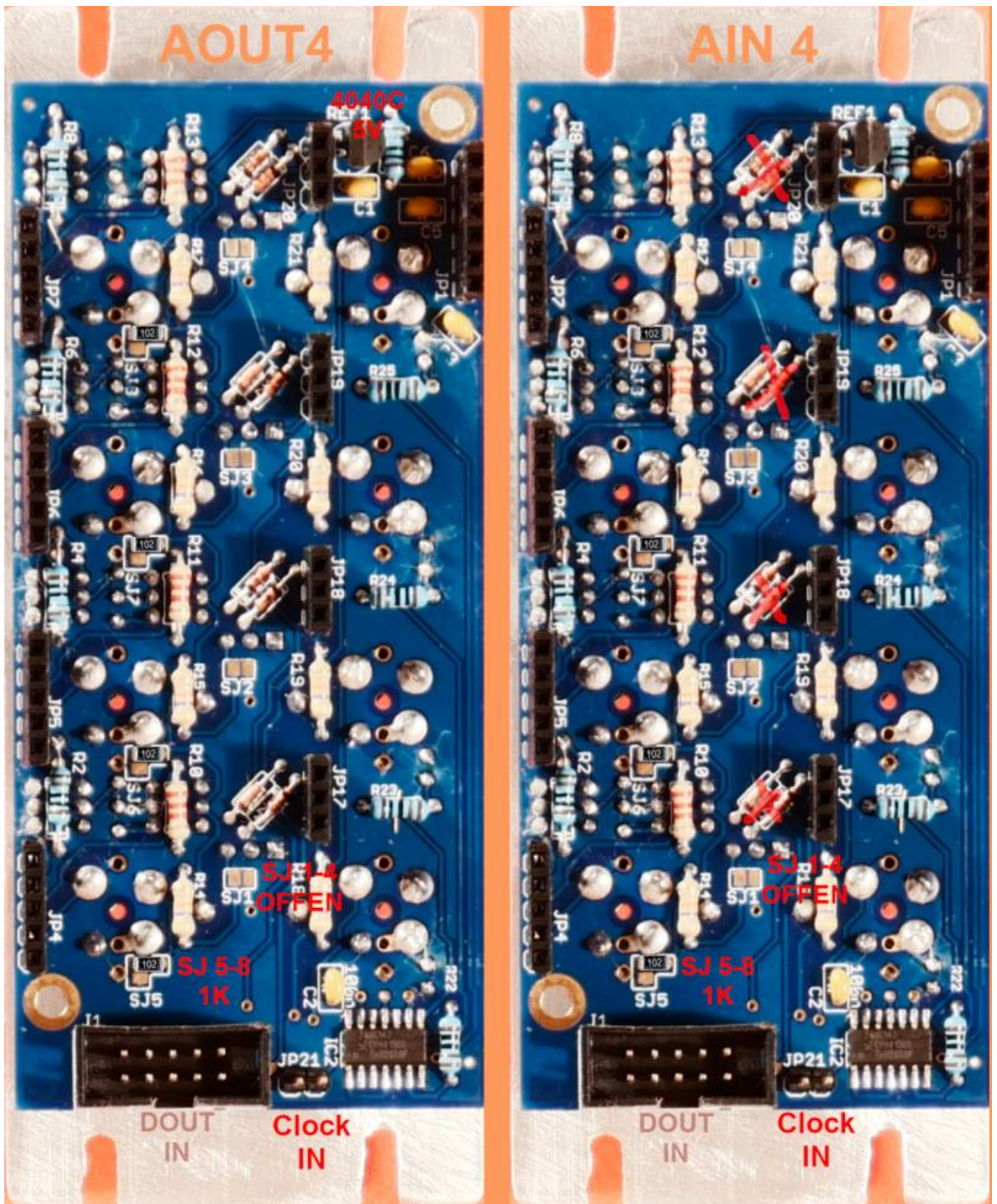


# Control Panel for AIN\_4 v1.2

## AIN\_4 v1.2 TOP

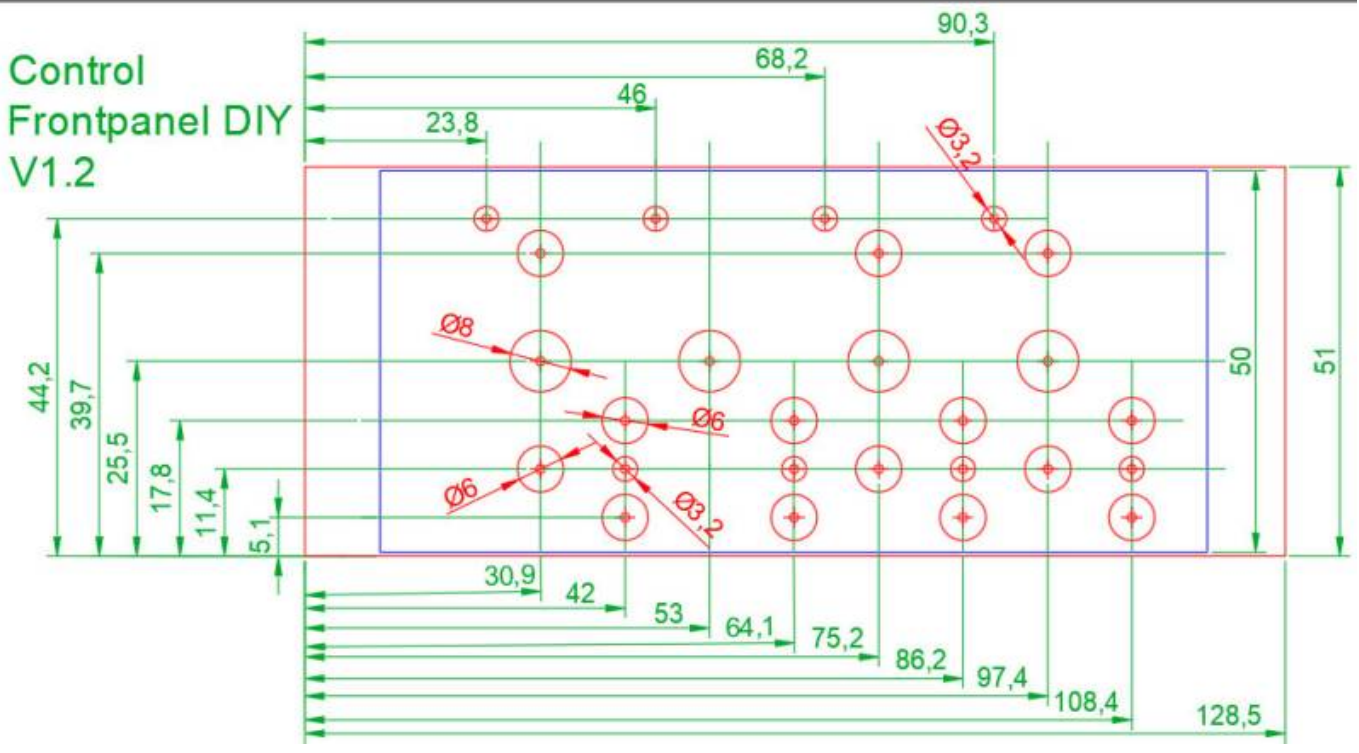
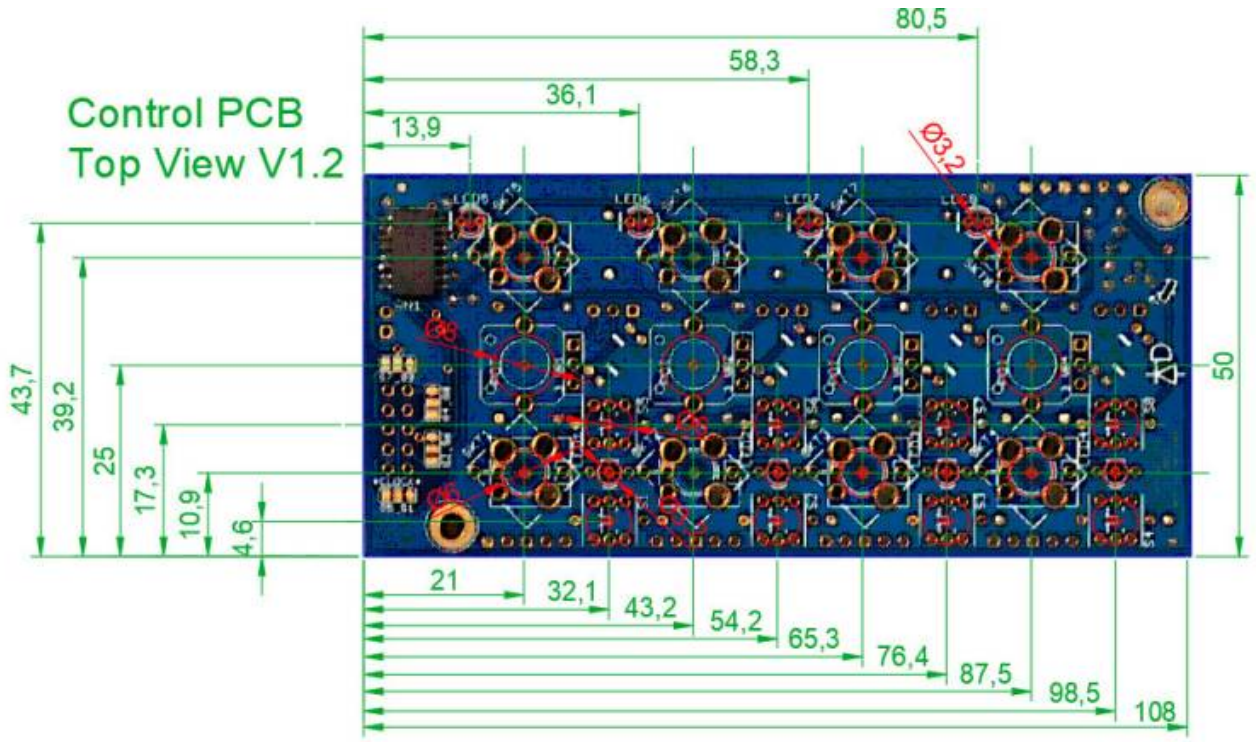


## AIN\_4 v1.2



## Front-Panel for AIN\_4 v1.2

i measured the PCB, and made a drawing in order to create a hand-drilled Frontpanel... so dont take the values as 100% true...:





From: <https://midibox.org/dokuwiki/> - **MIDIbox**

Permanent link: [https://midibox.org/dokuwiki/doku.php?id=control\\_board&rev=1641435783](https://midibox.org/dokuwiki/doku.php?id=control_board&rev=1641435783)

Last update: **2022/01/06 02:23**

