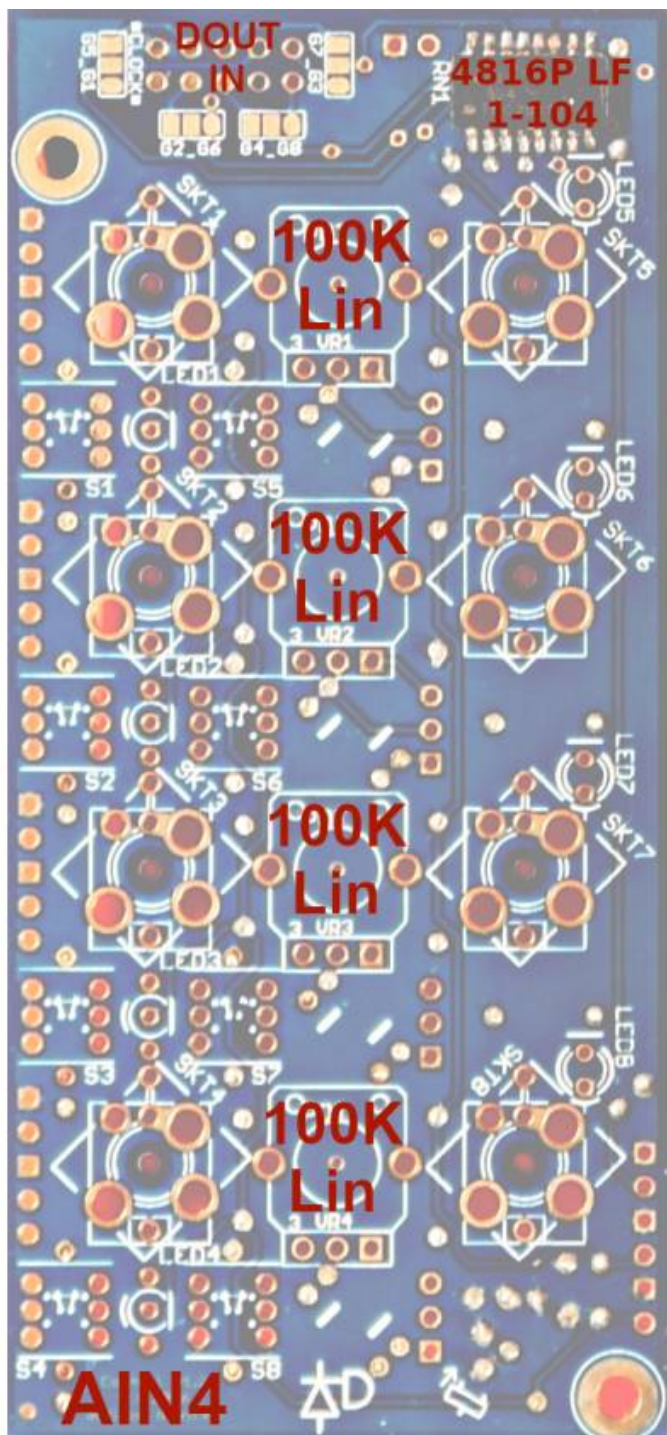
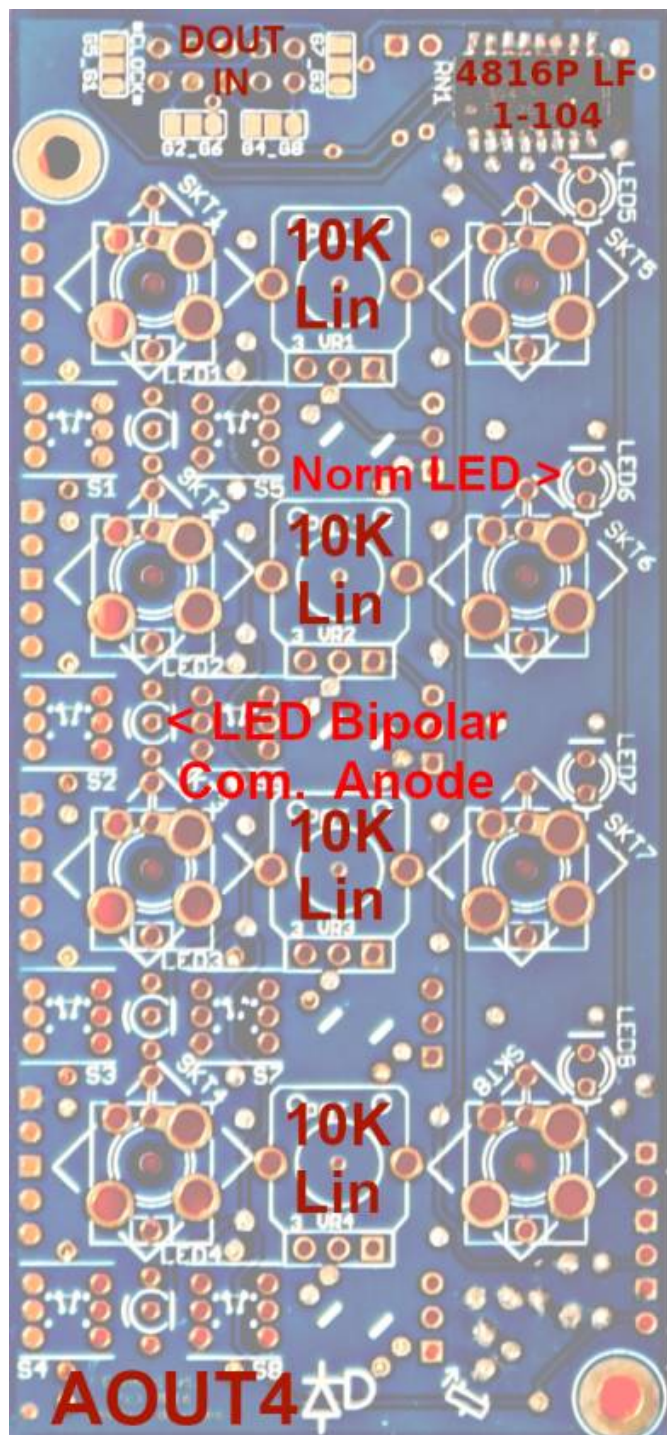


# Control Panel for AIN\_4 & AOUT\_4 v1.2

## AIN4 - AOUT4 v1.2 TOP



### BOM:

8x Switch better take mouser ones...

RN1: 100k iso 652-4816P-1LF-100K

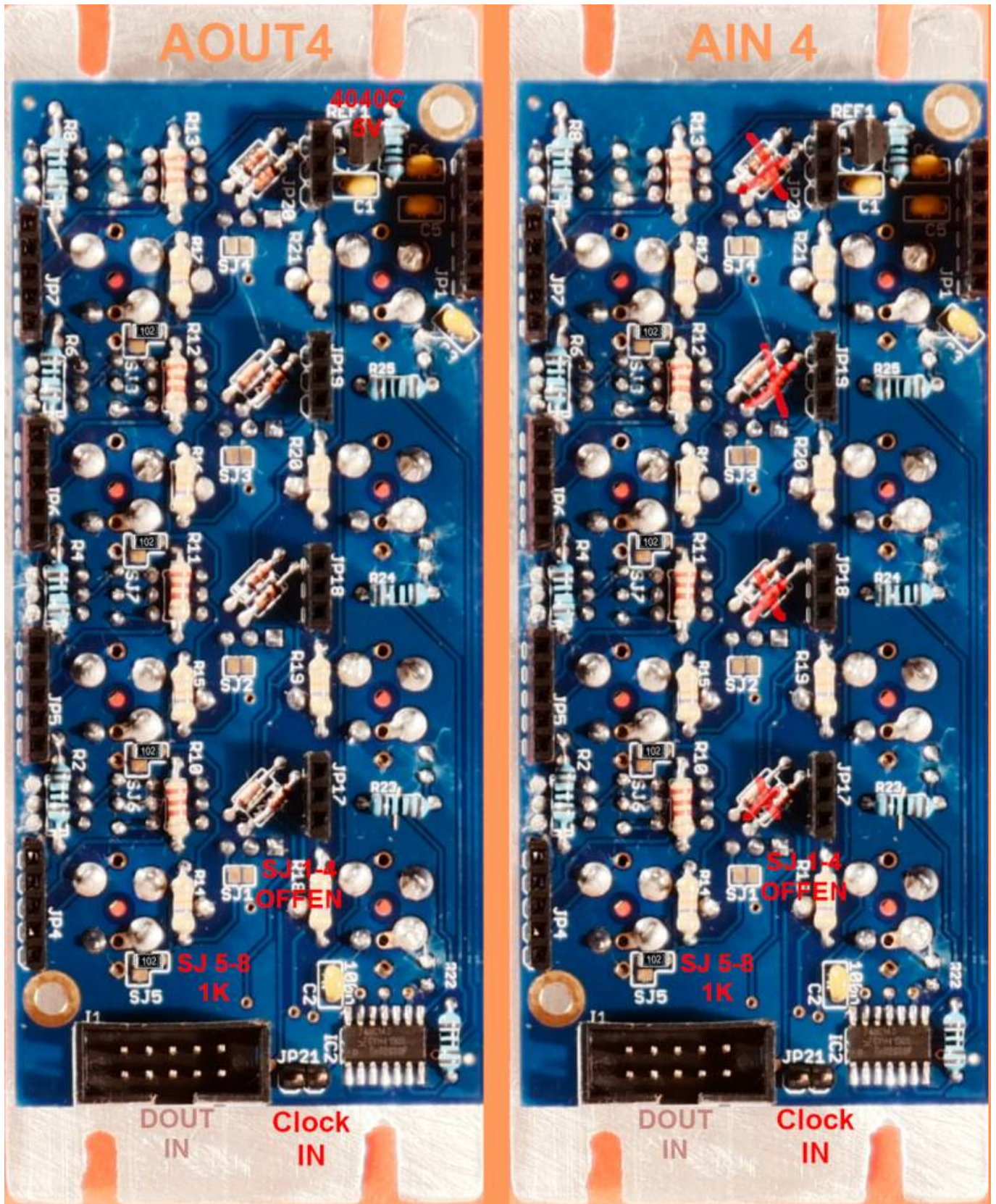
LED5-8: Normal LEDs

LED1-4: Bipolar LED common Anode

VR1-4 AOUT4: 10K Lin

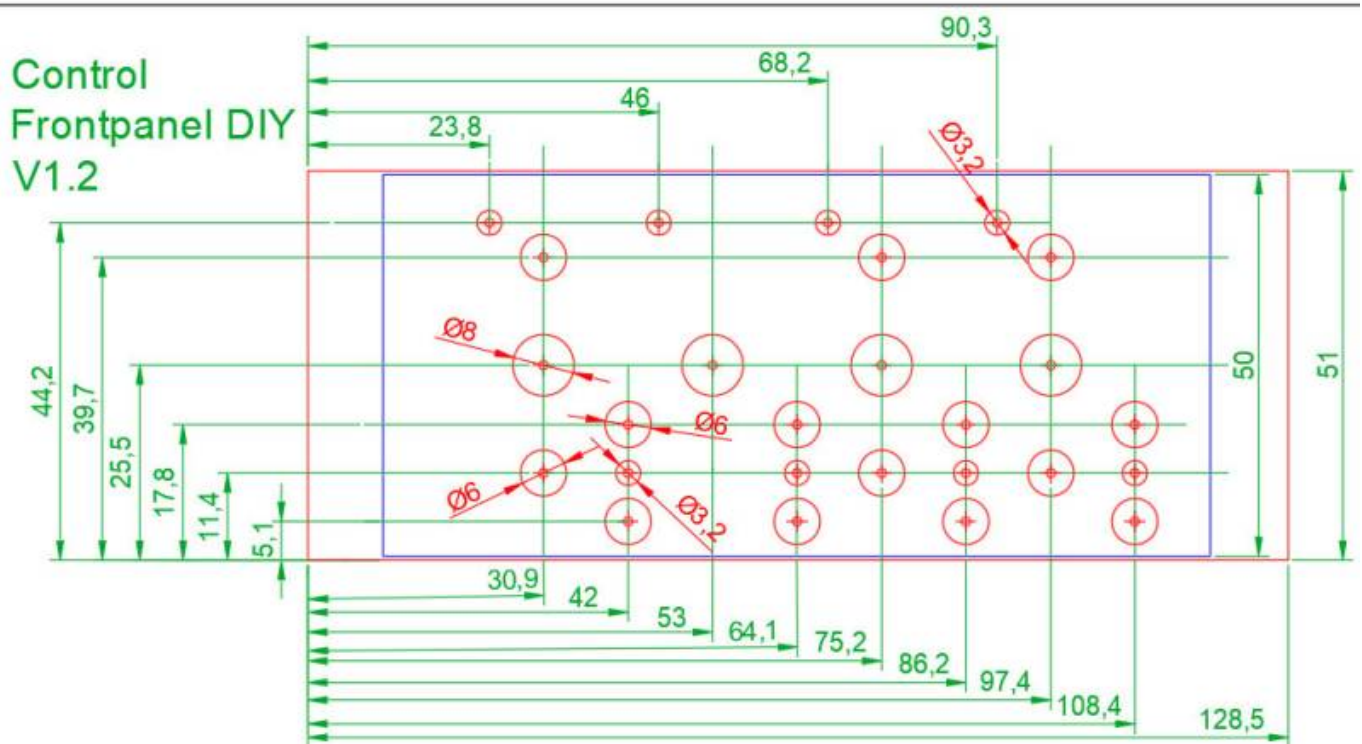
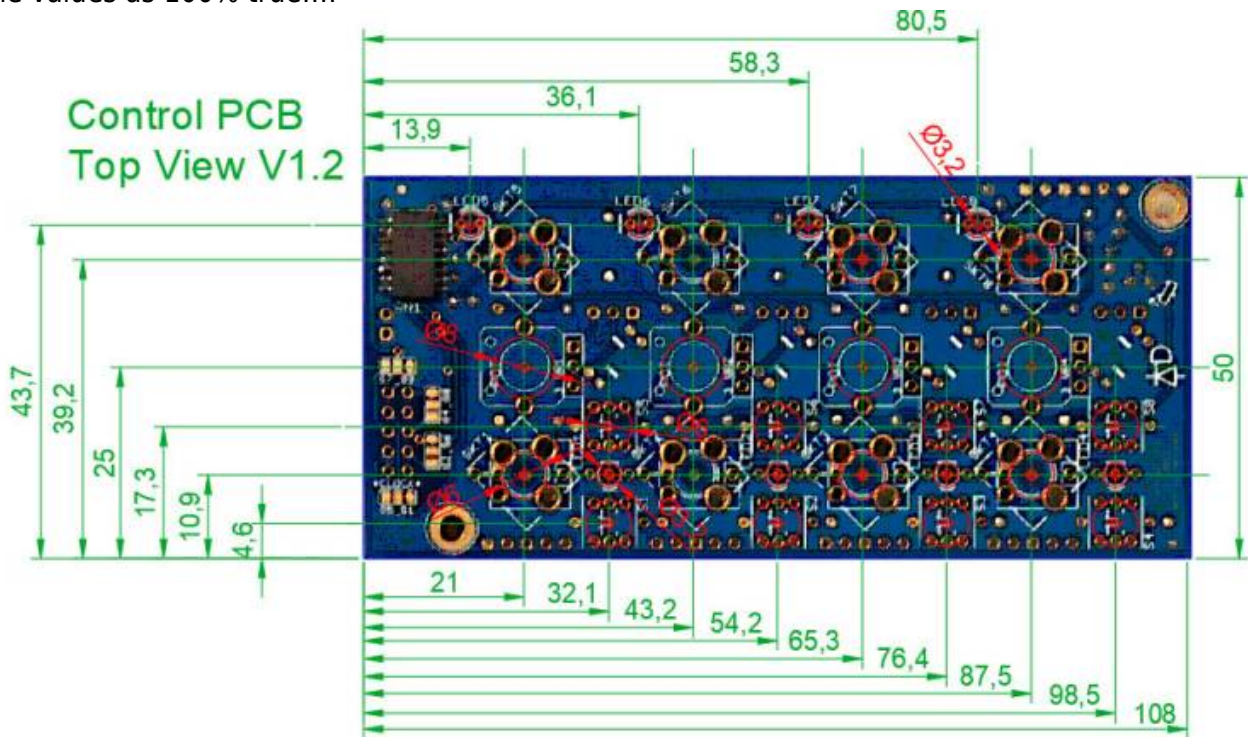
VR1-4 AIN4: 100K Lin

# AIN\_4 v1.2 BACK



## Front-Panel for AIN\_4 v1.2

i measured the PCB, and made a drawing in order to create a hand-drilled Frontpanel... so dont take the values as 100% true...:





From:  
<https://midibox.org/dokuwiki/> - **MIDIbox**

Permanent link:  
[https://midibox.org/dokuwiki/doku.php?id=control\\_board&rev=1641436549](https://midibox.org/dokuwiki/doku.php?id=control_board&rev=1641436549)

Last update: **2022/01/06 02:35**

