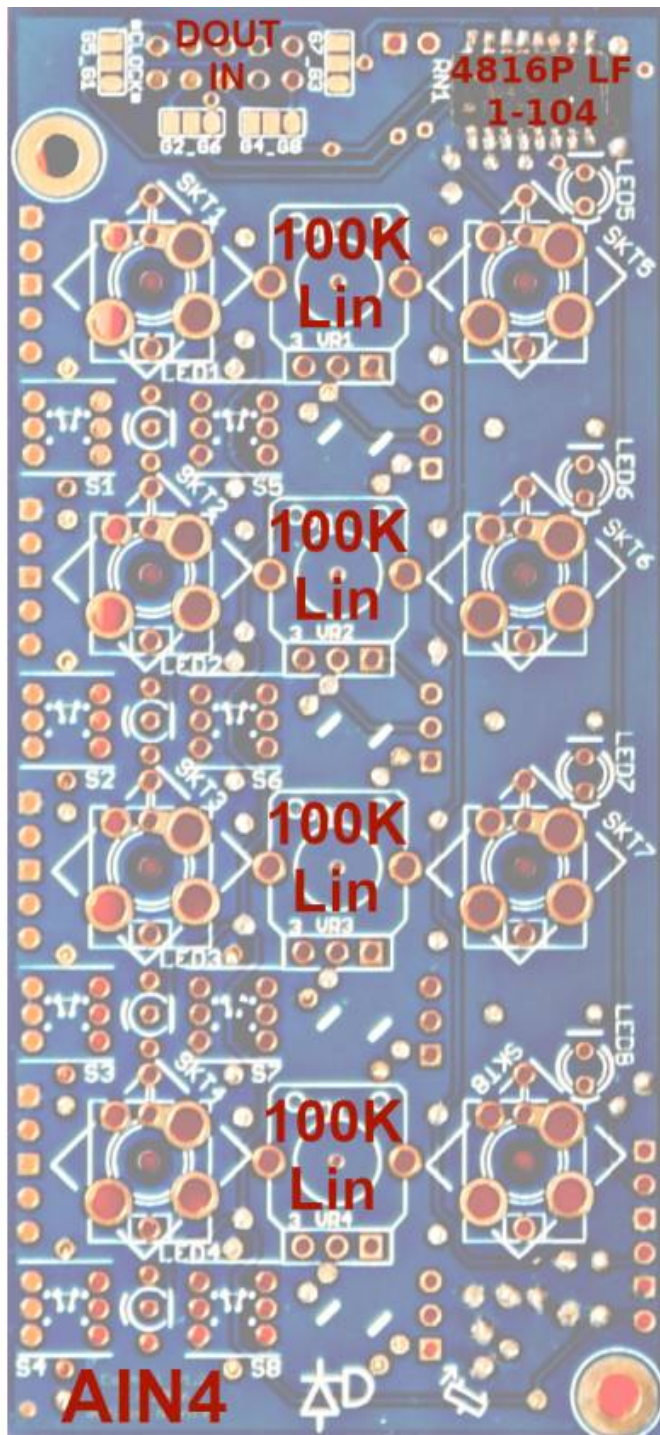
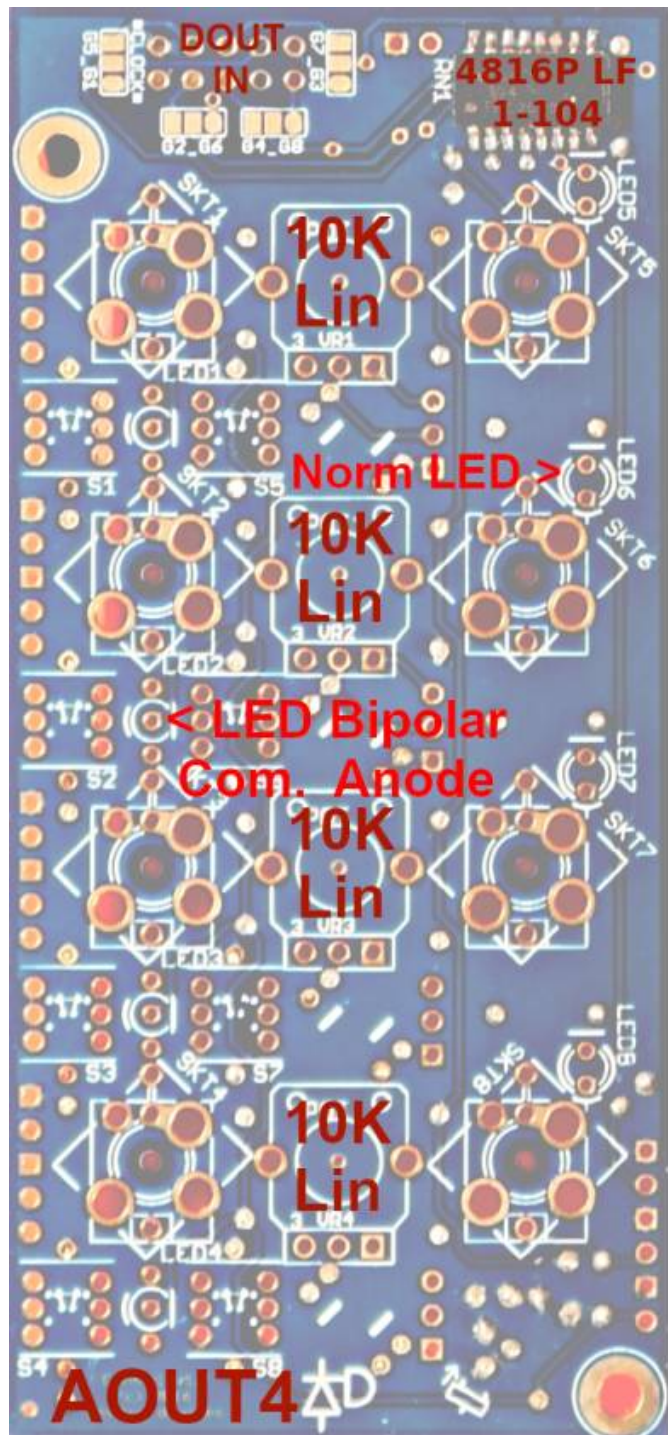


Control Panel for AIN_4 & AOUT_4 v1.2

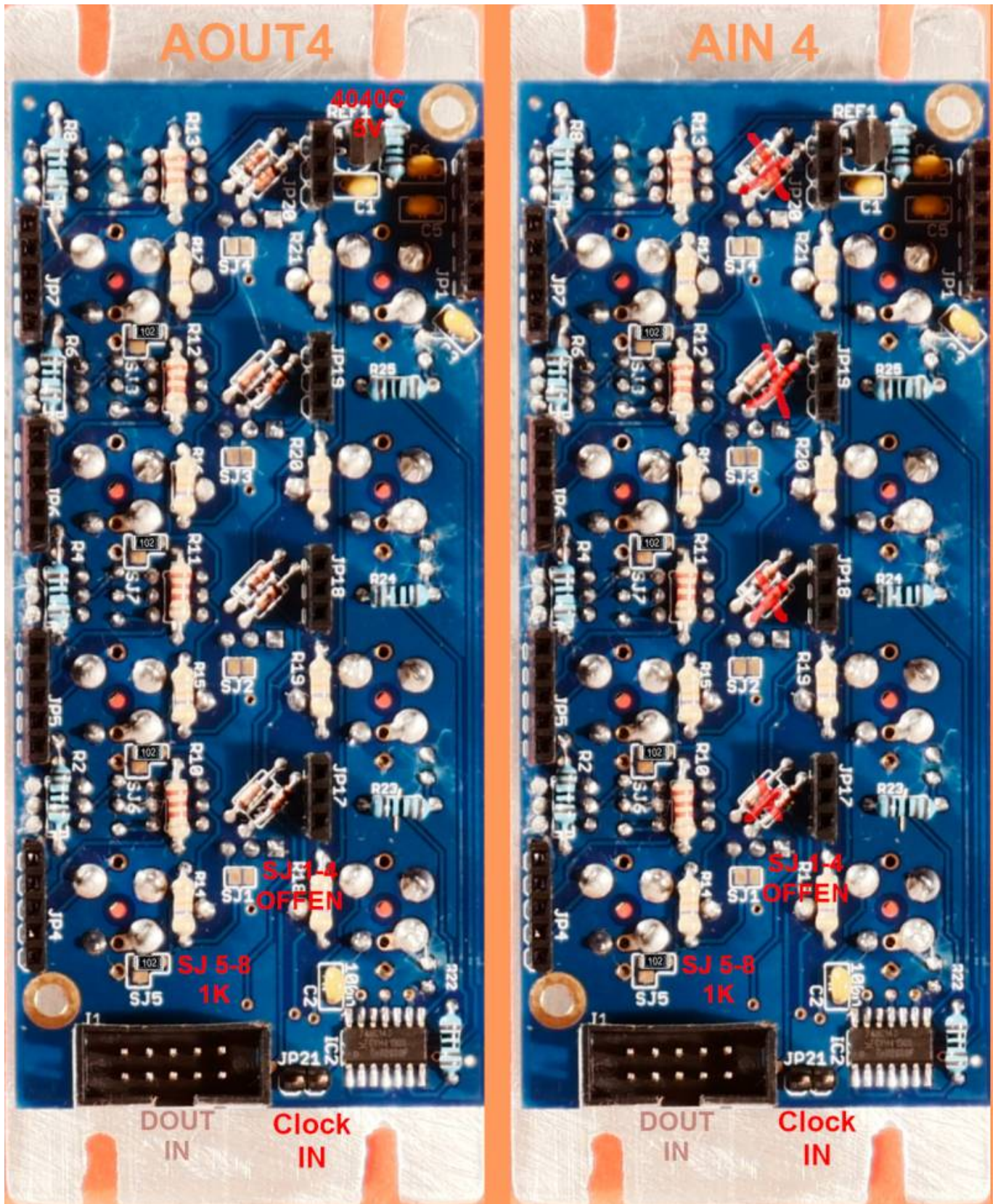
AIN4 - AOUT4 v1.2 TOP



BOM:

- 8x Switch better take mouser ones...
- LED5-8: Normal LEDs
- LED1-4: Bipolar LED common Anode
- VR1-4 AOUT4: 10K Lin
- VR1-4 AIN4: 100K Lin

AIN_4 v1.2 BACK



BOM:

RN1: 100k iso 652-4816P-1LF-100K

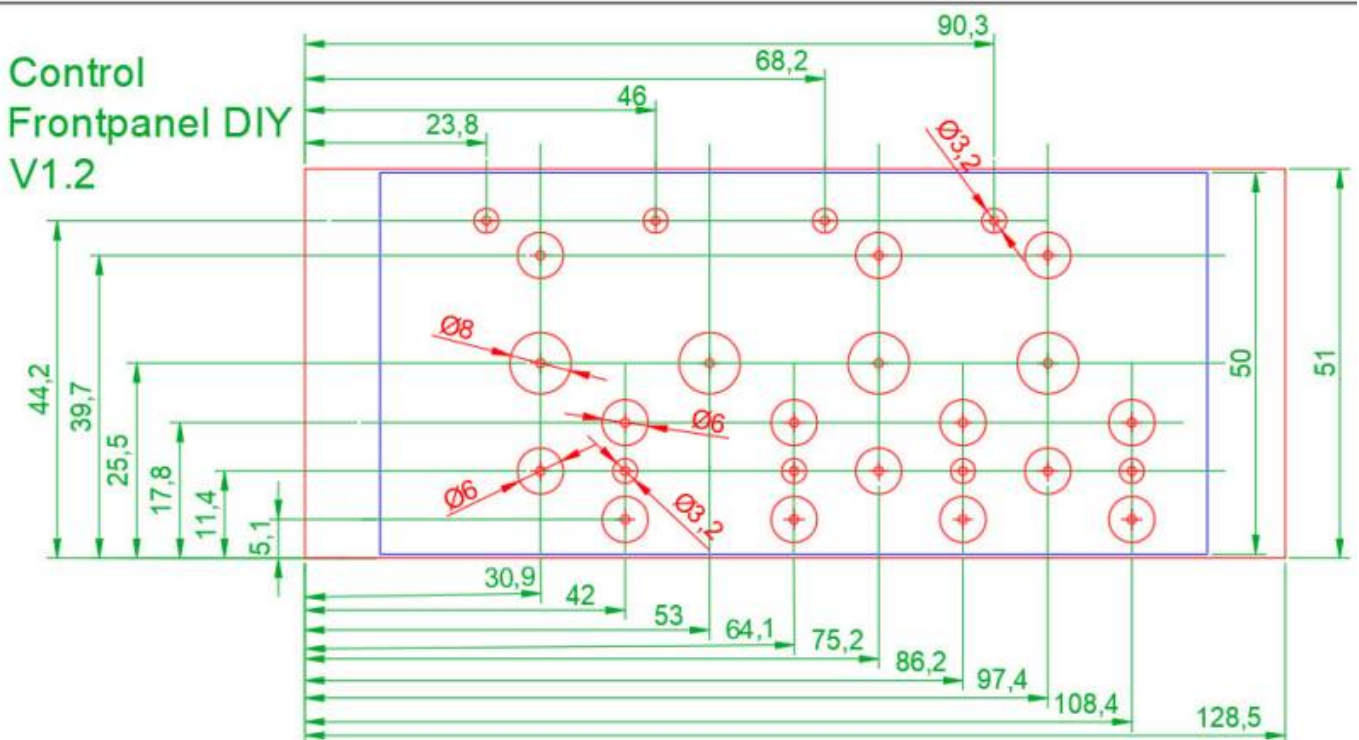
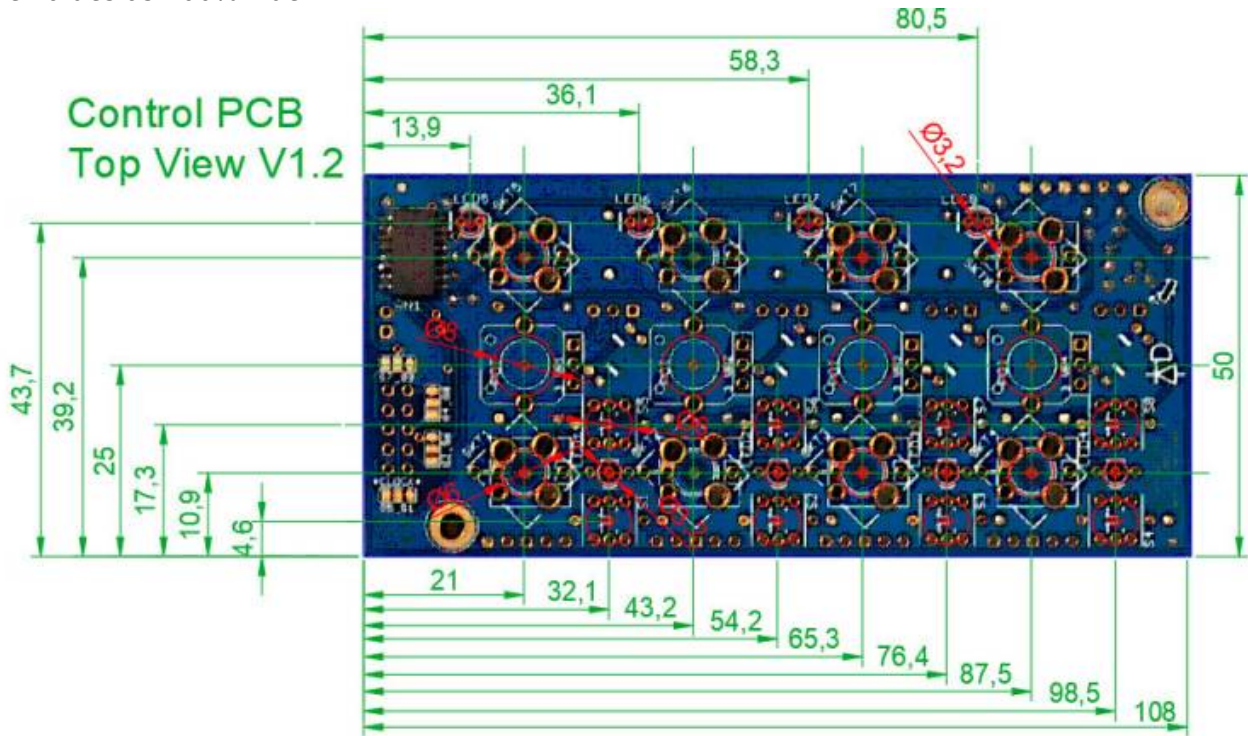
Jumper 1-4: let them unsoldered

Diodes: 1N4148 > only Stuff in AOUT4 Usecases

IC2: 74LV14H (SOIC14)

Front-Panel for AIN_4 v1.2

i measured the PCB, and made a drawing in order to create a hand-drilled Frontpanel... so dont take the values as 100% true...:





From:
<https://midibox.org/dokuwiki/> - **MIDIbox**

Permanent link:
https://midibox.org/dokuwiki/doku.php?id=control_board&rev=1641436859

Last update: **2022/01/06 02:40**

