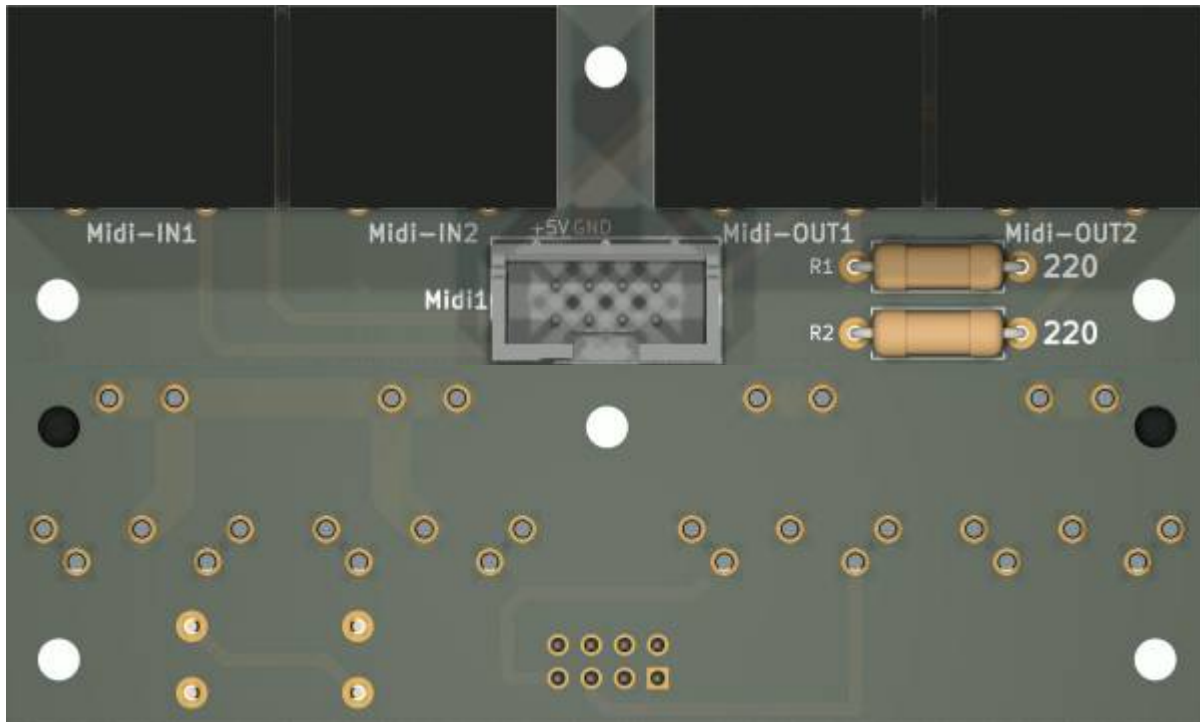
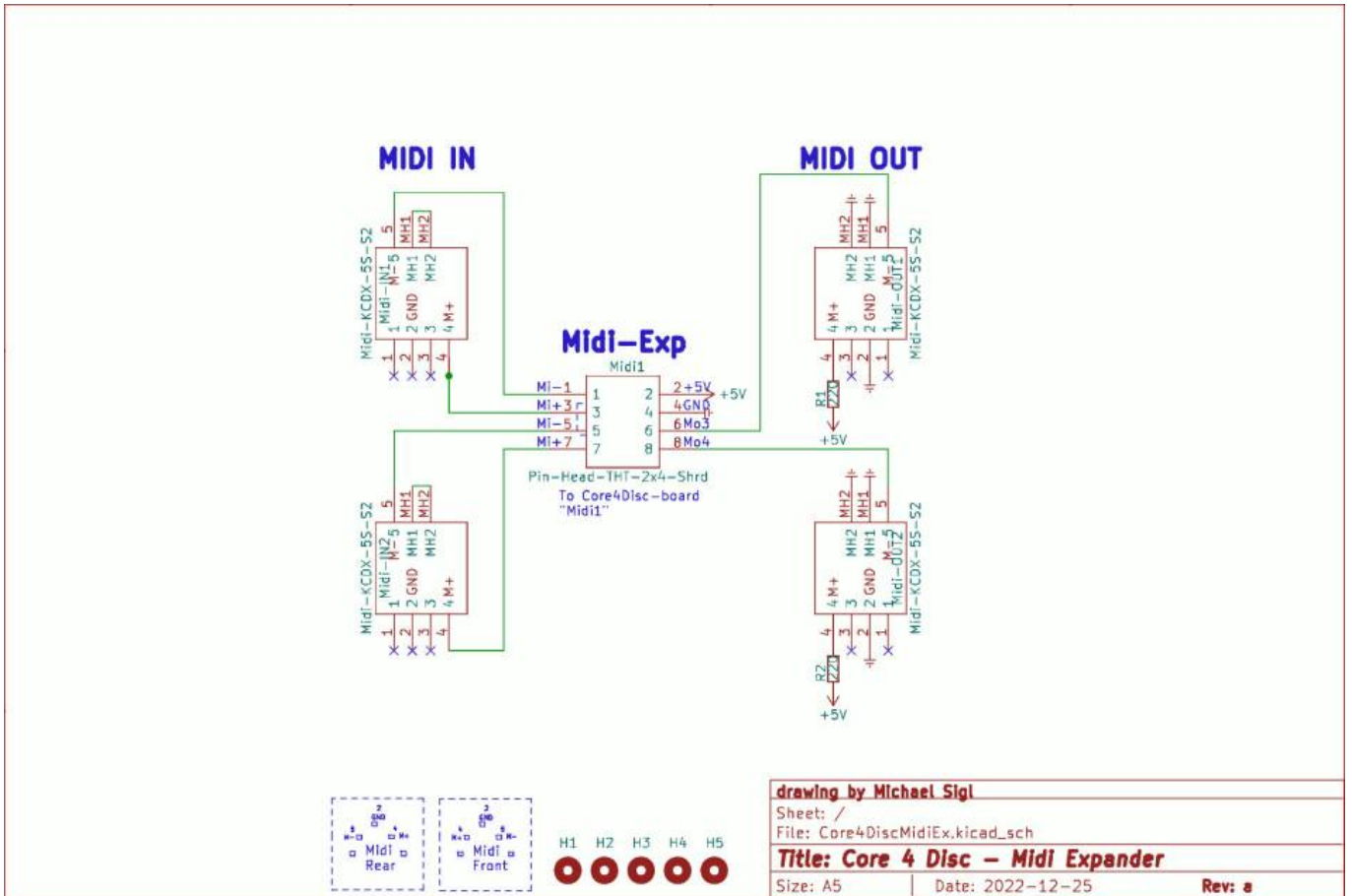


Core4Disc Midi-Expansion



this is one essential part for my [triggermatrix5](#)

Schematic



Building and BOM

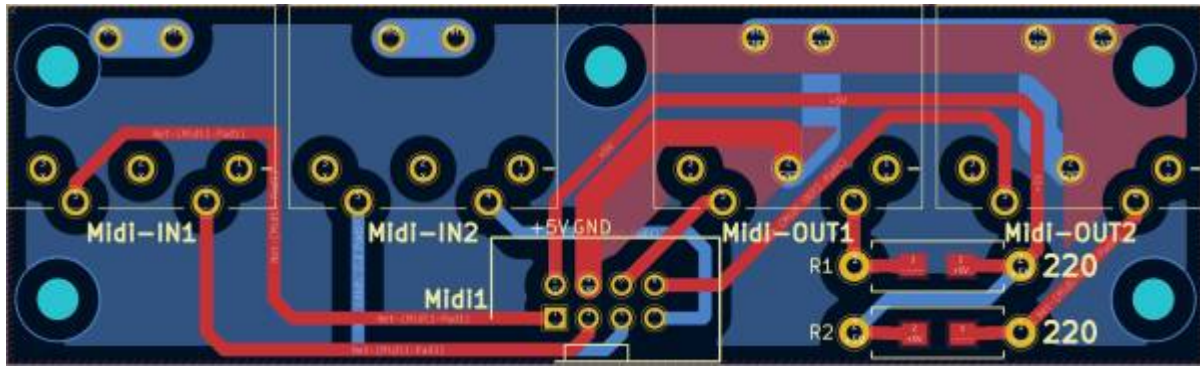
Handsolder, easy project...

BOM

^Qty ^Reference(s) ^Value ^Footprint ^Mouser^

| | | | | |
|---|-------------------------|--------------|----------------------|---|
| 1 | Midi1 | Pin-Head-2x4 | PinHead-Shrd-2x4-THT | 649-75869-232LF |
| 4 | Midi-IN1-2, Midi-OUT1-2 | Din 5Pole | KCDX5SS2 | 806-KCDX-5S-S2 |
| 2 | R1, R2 | 220 | THT or 1206 | SMD: 660-RK73B2BTDD221J THT: 281-220-RC |

R1 and R2 can be solderd as Thruhole, or SMD1206 Package



To Do

waiting for Prototype PCB

Community users working on it

- **Phatline** = PCB & Schematic, UI-Programming, Documentation...

Just let a Private message on the forum to user already involved.
or join the forum: [Triggermatrix 5](#)

From:
<https://midibox.org/dokuwiki/> - **MIDIbox**

Permanent link:
<https://midibox.org/dokuwiki/doku.php?id=core4discmidiex&rev=1671987323>

Last update: **2022/12/25 16:55**

