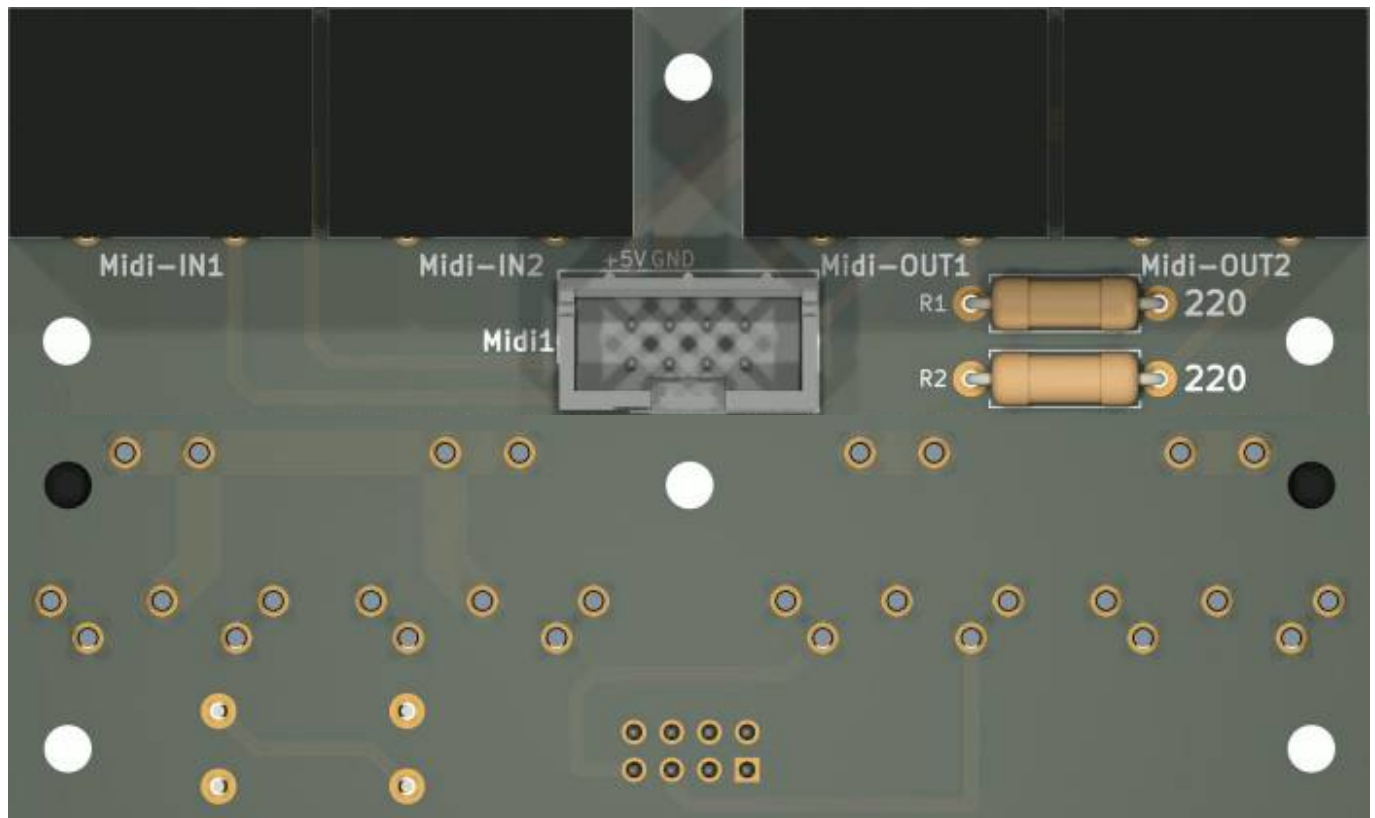
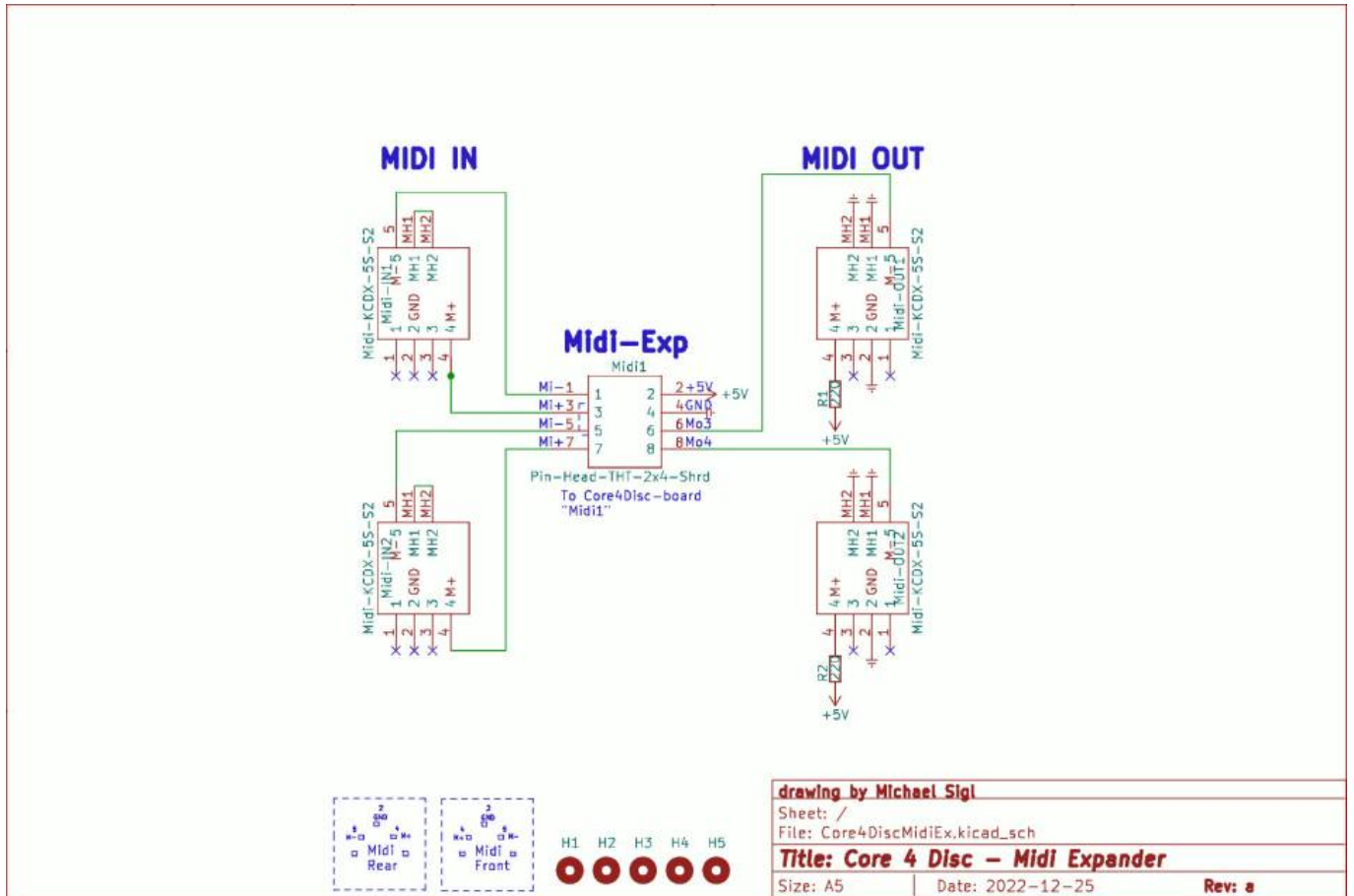


Core4Disc Midi-Expansion



this is one essential part for my [triggermatrix5](#)

Schematic



Building and BOM

Handsolder, easy project...

BOM

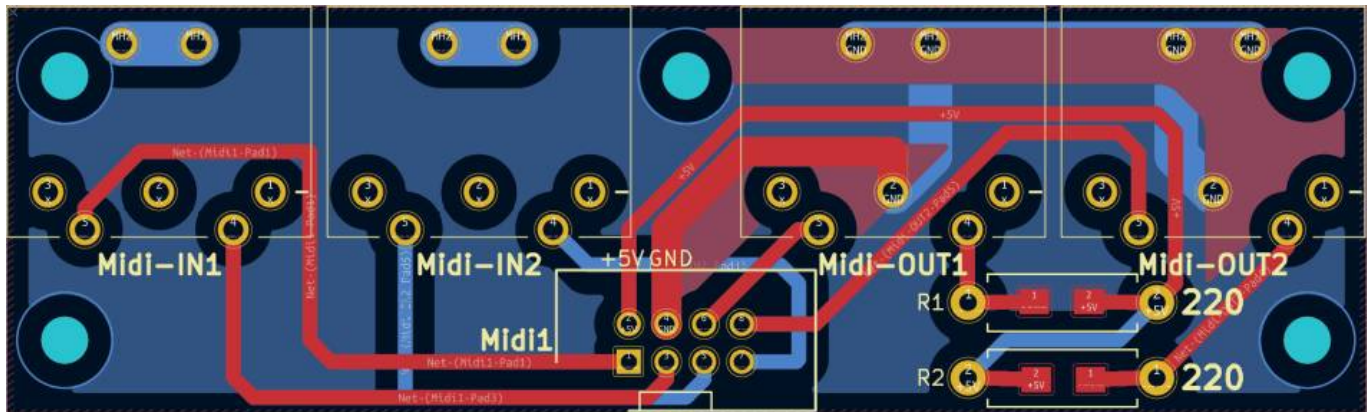
qty	reference	value	footprint	mouser
1	Midi1	Pin-Head-2x4	PinHead-Shrd-2x4-THT	649-75869-232LF
4	Midi-IN1-2, Midi-OUT1-2	Din 5Pole	KCDX5SS2	806-KCDX-5S-S2
2	R1, R2	220	THT or 1206	SMD: 660-RK73B2BTDD221J THT: 281-220-RC
2	-	-	710-61200823021	

R1 and R2 can be solderd as Thruhole, or SMD1206 Package

Order-List

copy following list into this [mouser.com-Link](https://mouser.com)

649-75869-232LF|1
806-KCDX-5S-S2|4
660-RK73B2BTDD221J|2



To Do

waiting for Prototype PCB

Community users working on it

- **Phatline** = PCB & Schematic, UI-Programming, Documentation...

Just let a Private message on the forum to user already involved.
or join the forum: [Triggermatrix 5](#)

From:
<https://midibox.org/dokuwiki/> - **MIDIbox**

Permanent link:
<https://midibox.org/dokuwiki/doku.php?id=core4discmidiex&rev=1672260260>

Last update: **2022/12/28 20:44**

