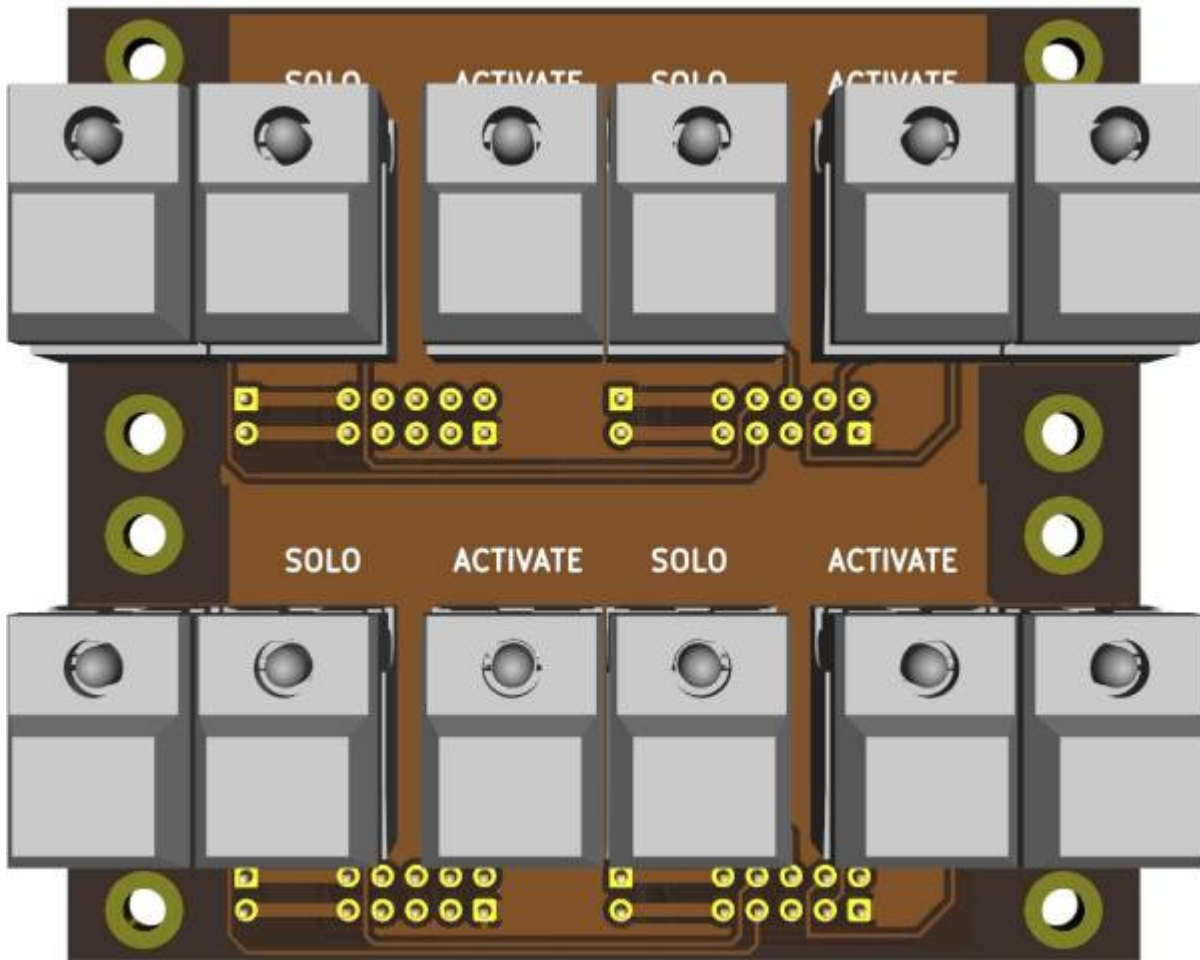
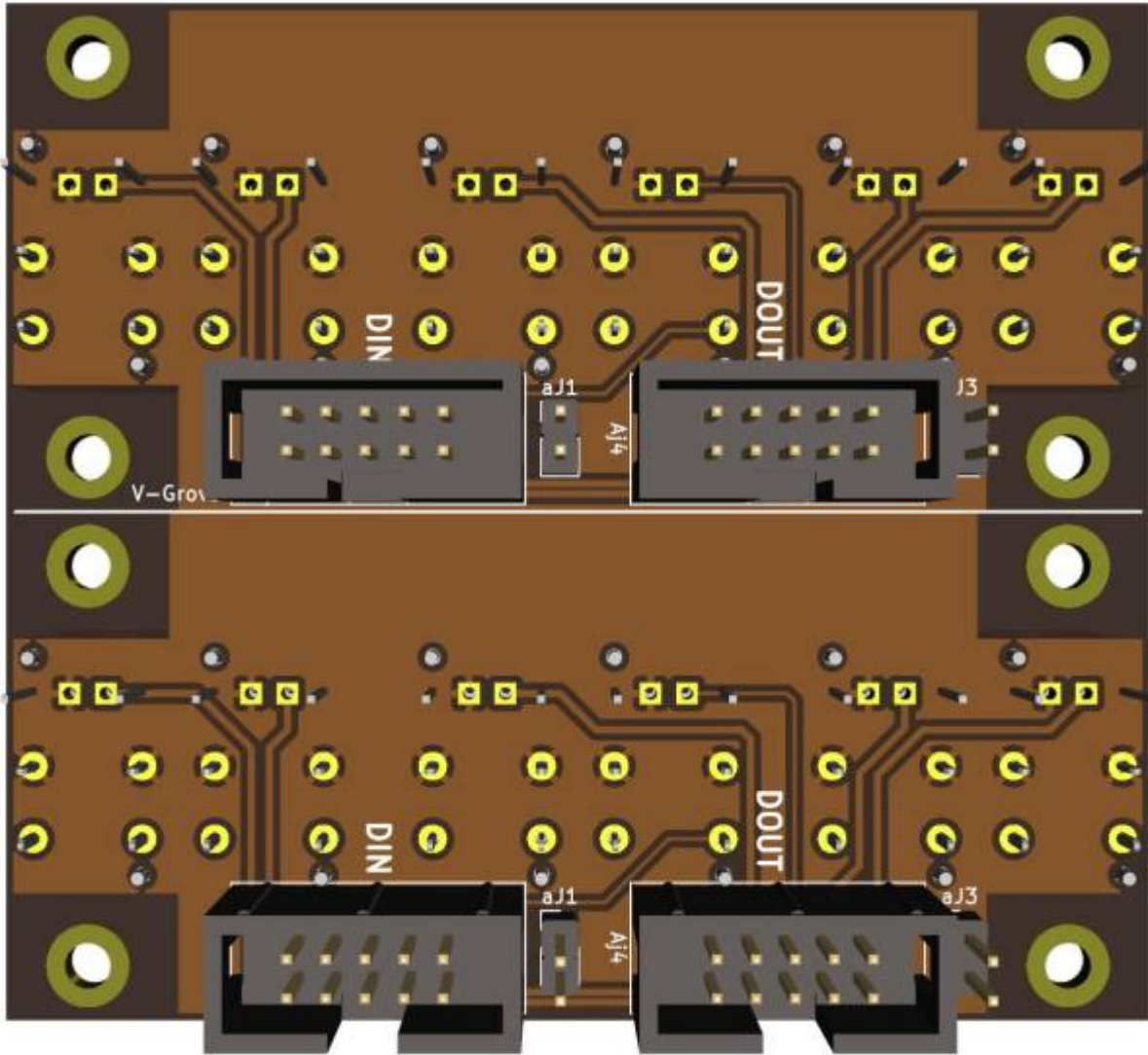


DAW-BTN - Board



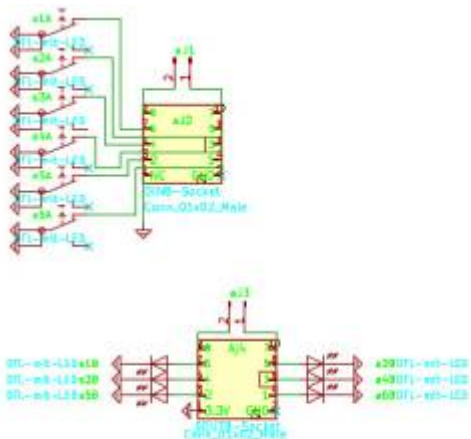


It is one part to build a DAW-controller, it can be used multiple times
it needs external din and dout modules (doutx4,dinx4 for example)

Here are the gerberfiles for production - i made it with [JLCPCB](#)
[daw-encoder-display-gerber.zip](#)

They are not testet at the moment, i am waiting for the PCBs...

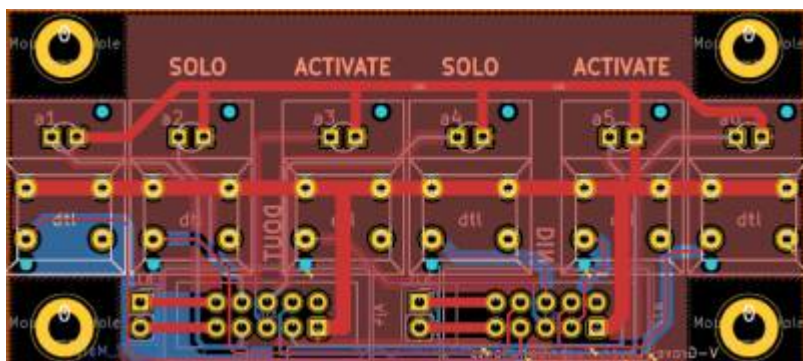
Schematic



Michael Sigl
www.sigl.at

Sheet:	
File:	DAW-BTN.kicad_sch
Title:	DAW-Buttons
Size:	A5
Date:	2022-07-02
Rev:	a

Building and BOM



To Do

Waiting for the PCBs, Test them, make a Frontpanel.

Community users working on it

- **Phatline** = PCB & Schematic, UI-Programming, Documentation...

Just let a Private message on the forum to user already involved.
or join the forum: [daw-controller-ableton](https://forum.midi-bbox.org/)

From:

<https://midibox.org/dokuwiki/> - **MIDIbox**

Permanent link:

<https://midibox.org/dokuwiki/doku.php?id=daw-btn&rev=1656801648>

Last update: **2022/07/02 22:40**

