

DAW-Encoder-Display - Board

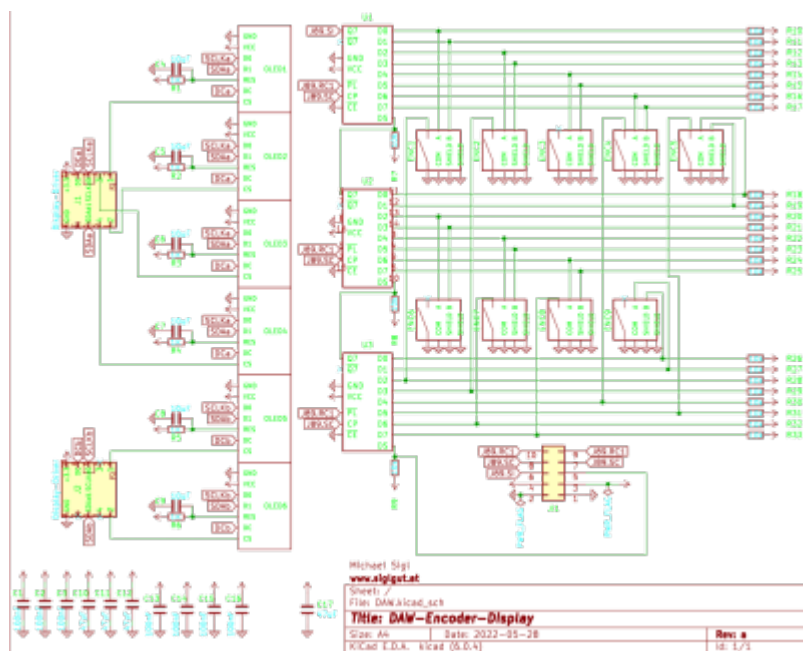




Here are the gerberfiles for production - i made it with [JLCPCB](#)
[daw-encoder-display-gerber.zip](#)

They are not testet at the moment, i am waiting for the PCBs...

Schematic



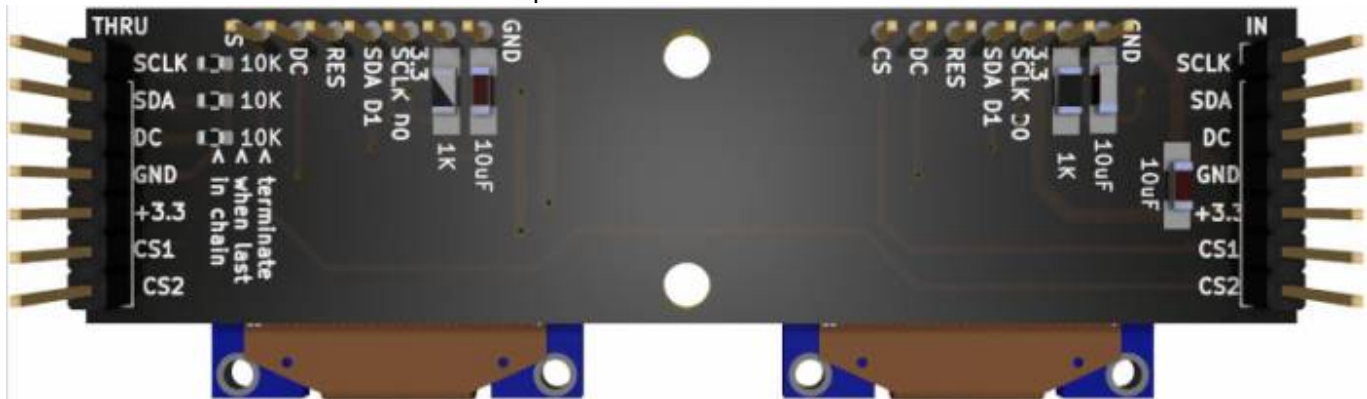
Building and BOM

The Values are printet on the PCB.

Following Quantity is for 1 PCB:

- 8x 1Row 7Pin headers (2.54mm pitch)
- 8x 1K 1208 SMD Resistors
- 12x 10uF 1208 Capacitors (non polarized)

3x 10K 0603 SMD Resistors which are optional



6x 0.96" SSD1306 Screens

To Do

Waiting for the PCBs, Test them, make a Frontpanel.

Community users working on it

- **Phatline** = PCB & Schematic, UI-Programming, Documentation...

Just let a Private message on the forum to user already involved.

From:
<https://midibox.org/dokuwiki/> - **MIDIbox**

Permanent link:
<https://midibox.org/dokuwiki/doku.php?id=daw-encoder-display&rev=1653753477>

Last update: **2022/05/28 15:57**

