

# DAW-Encoder-Display - Board





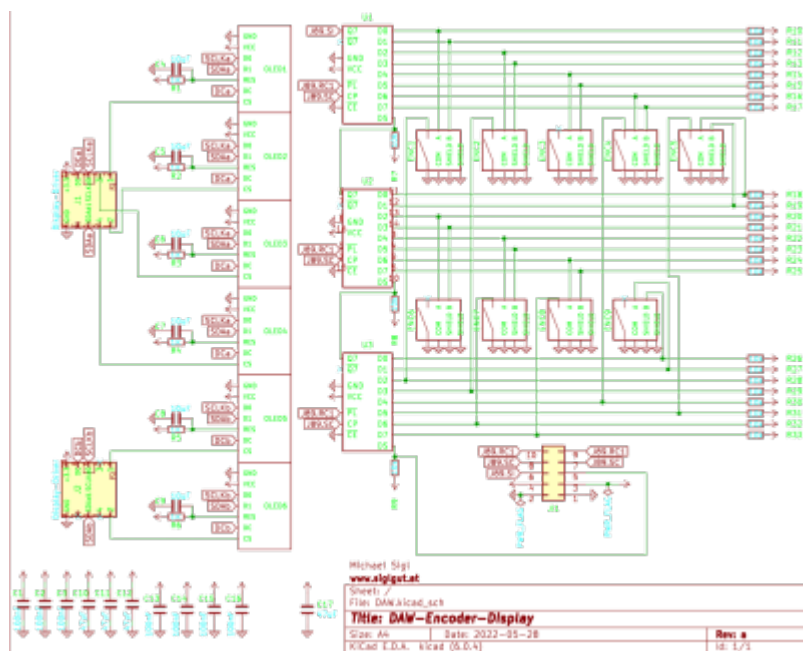
I made this PCBs to use it with Latigid-Ons [display\\_driver](#)  
It is one part to build a DAW-controller, it can be used multiple times



Here are the gerberfiles for production - i made it with [JLPCB](#)  
[daw-encoder-display-gerber.zip](#)

They are not testet at the moment, i am waiting for the PCBs...

## Schematic



## Building and BOM

The Values are printet on the PCB.

**Following Quantity is for 1 PCB, Mouser:**

open following link: <https://www.mouser.com/tools/part-list-import.aspx>

**& copy past follwong list:**

187-CL21B104KBFWPJE|7  
187-CL21A106KPFNNNE|4  
81-GRM219R60J476ME4D|4  
652-PEC11R-4015F-S24|9  
710-61201021621|3  
667-ERJ-P06F1001V|6  
660-RK73H2ATTD1002F|27  
660-RK73H2ATTD1002F|3

You may change the how many times you want to order this project  
aka you need it 10 times, then do this after importing the list into mouser...

**6 Displays which you get from Ali:**  
[SSD1306-128x64 7pin White](#)

## To Do

Waiting for the PCBs, Test them, make a Frontpanel.

## Community users working on it

- **Phatline** = PCB & Schematic, UI-Programming, Documentation...

Just let a Private message on the forum to user already involved.

From:  
<https://midibox.org/dokuwiki/> - **MIDIbox**

Permanent link:  
<https://midibox.org/dokuwiki/doku.php?id=daw-encoder-display&rev=1653756197>

Last update: **2022/05/28 16:43**

