

DAW-Encoder-Display - Board

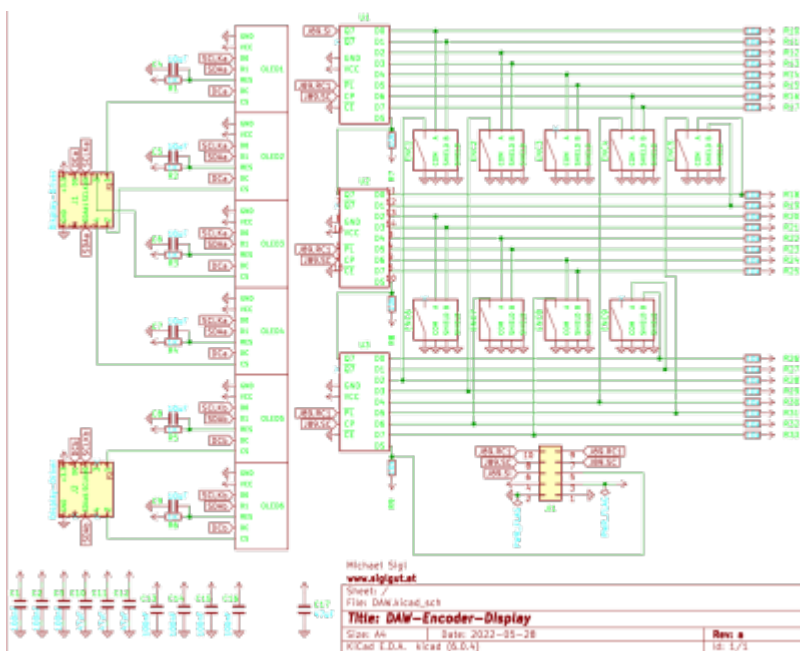




Here are the gerberfiles for production - i made it with [JLPCB](#)
[daw-encoder-display-gerber.zip](#)

They are not testet at the moment, i am waiting for the PCBs...

Schematic



Building and BOM

To Do

Waiting for the PCBs, Test them, make a Frontpanel.

Community users working on it

- **Phatline** = PCB & Schematic, UI-Programming, Documentation...

Just let a Private message on the forum to user already involved.

From:

<https://midibox.org/dokuwiki/> - **MIDIbox**

Permanent link:

<https://midibox.org/dokuwiki/doku.php?id=daw-encoder-display&rev=1653756475>

Last update: **2022/05/28 16:47**

