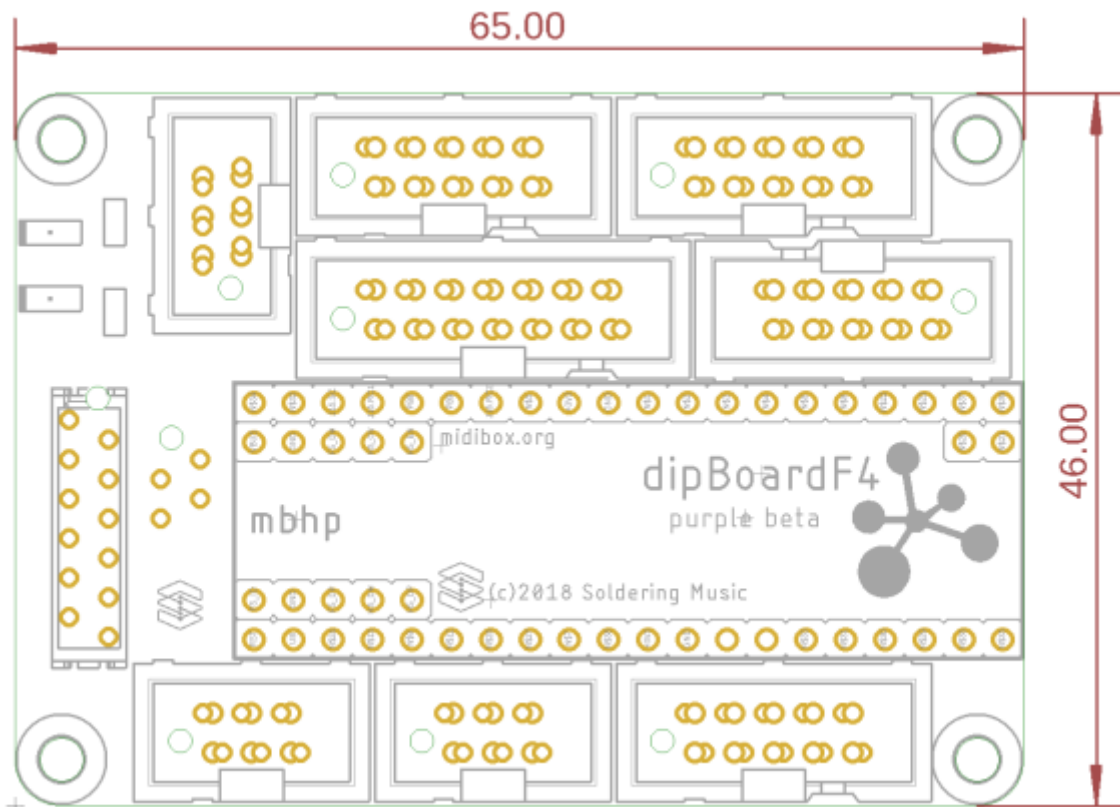


# dipBoard32

MIDIbox Hardware Platform extension for dipCore32.

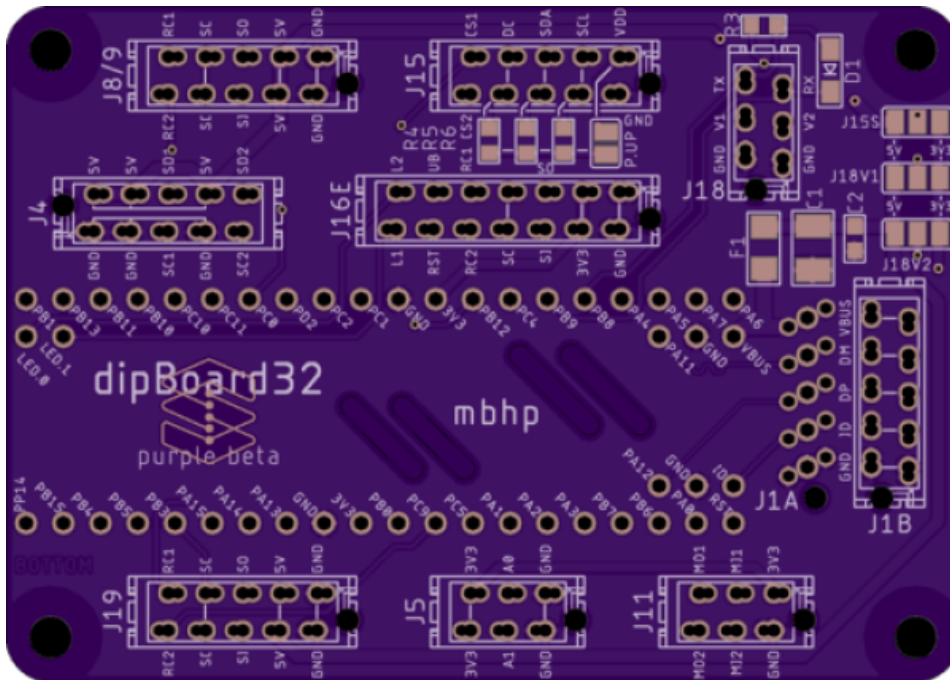
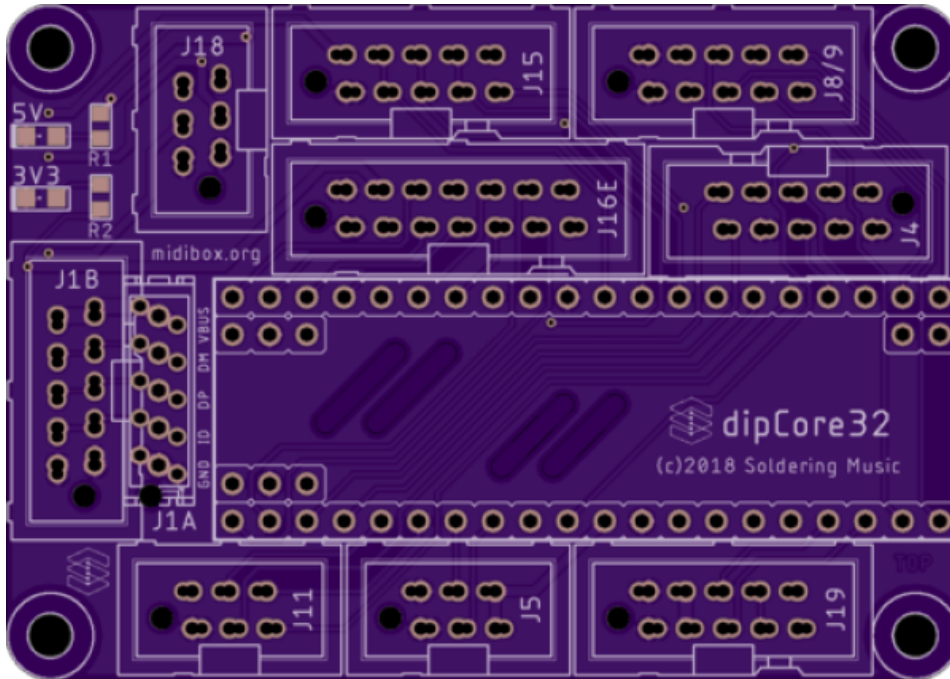
## features

## dimension

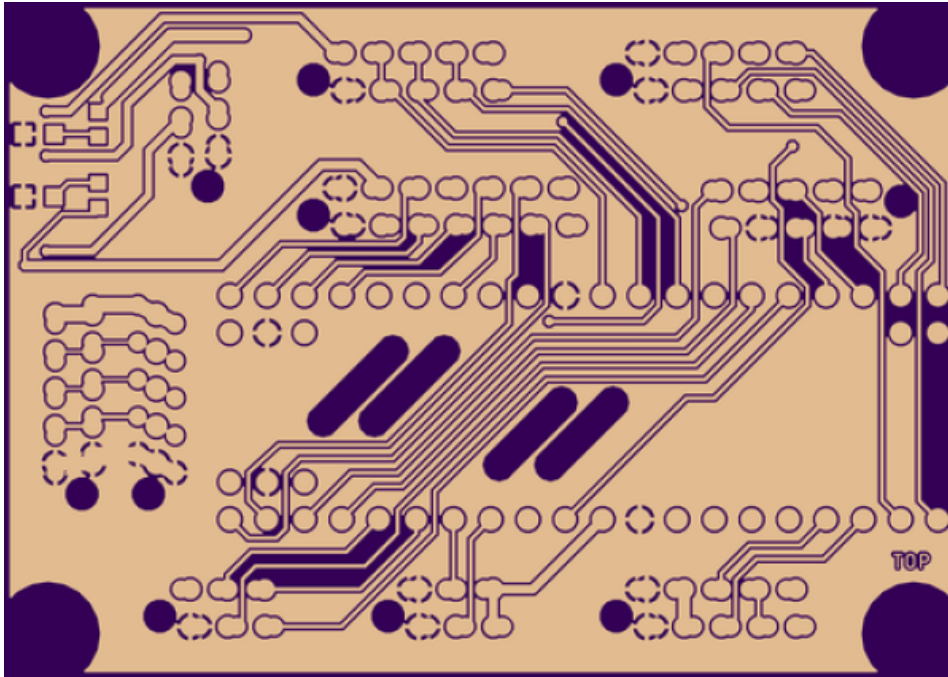


## PCB

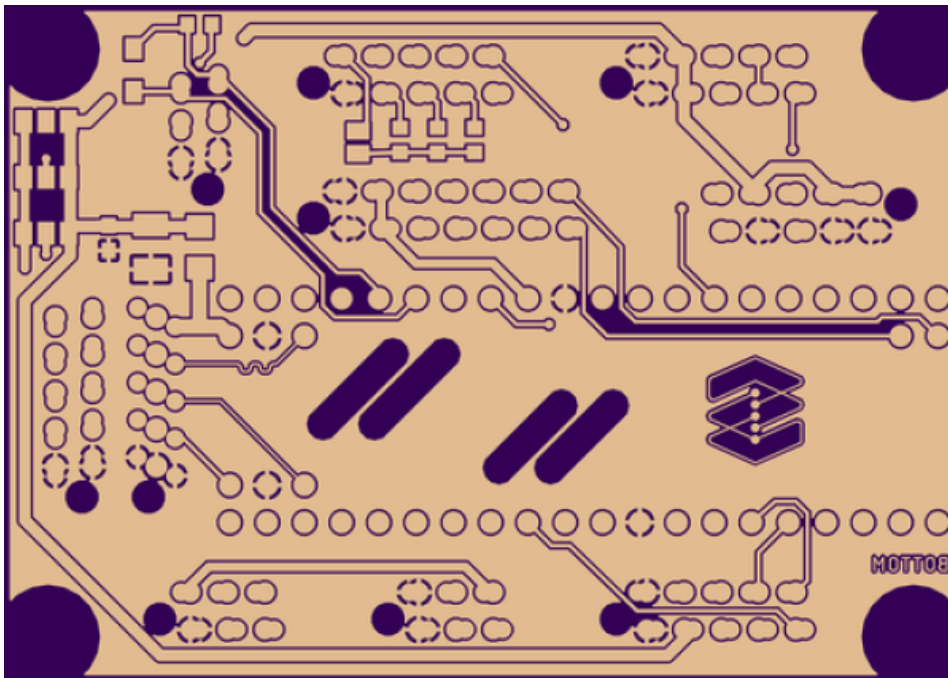
ToDo



Top copper



Bottom



From:

<https://midibox.org/dokuwiki/> - **MIDIbox**

Permanent link:

<https://midibox.org/dokuwiki/doku.php?id=dipboard32&rev=1535627667>

Last update: **2018/08/30 11:14**

