

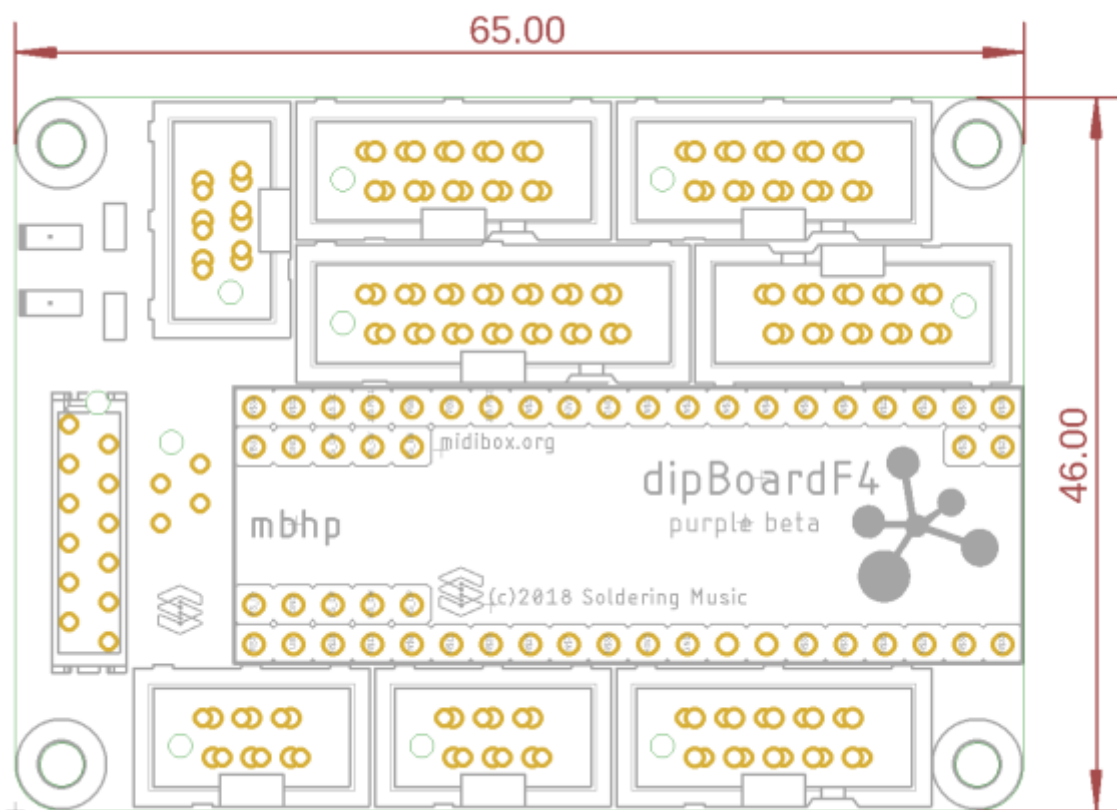
dipBoard32

MIDIbox Hardware Platform extension for [dipCore32](#).

features

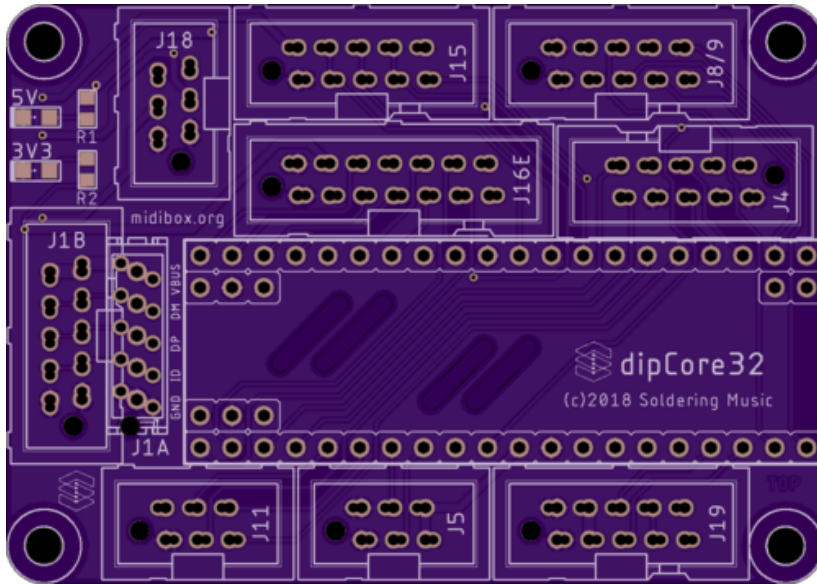
- Very small size 65x46mm(less than your credit card).
- Very low profile.
- Your application board can be stacked on bottom with 'Micro-match' connectors.
- The [dipCore32](#) can be installed on the two side.
- Provides all the most important features and ports as a regular mbhp.
- Compatible with Andy's [USB](#) and [RES-SD](#) modules.

dimension



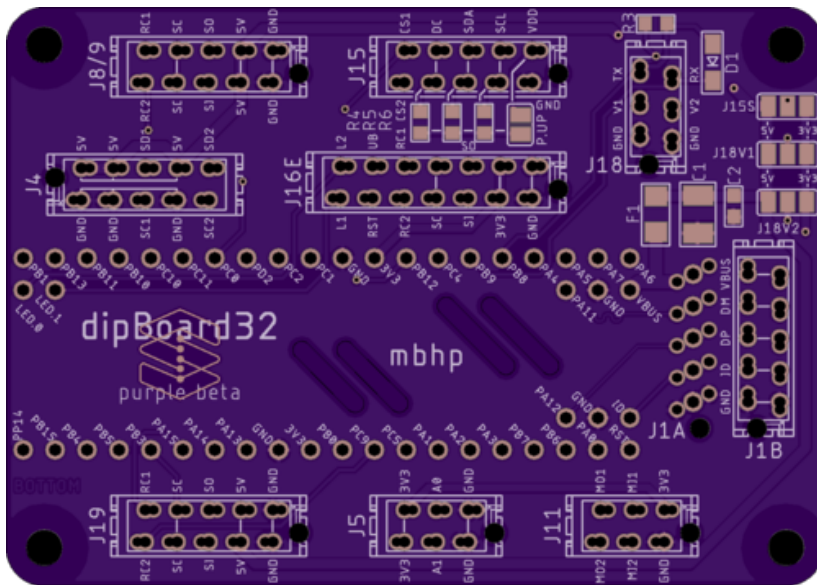
PCB

2 layers PCB design.
Fits 2 layer mostly common design

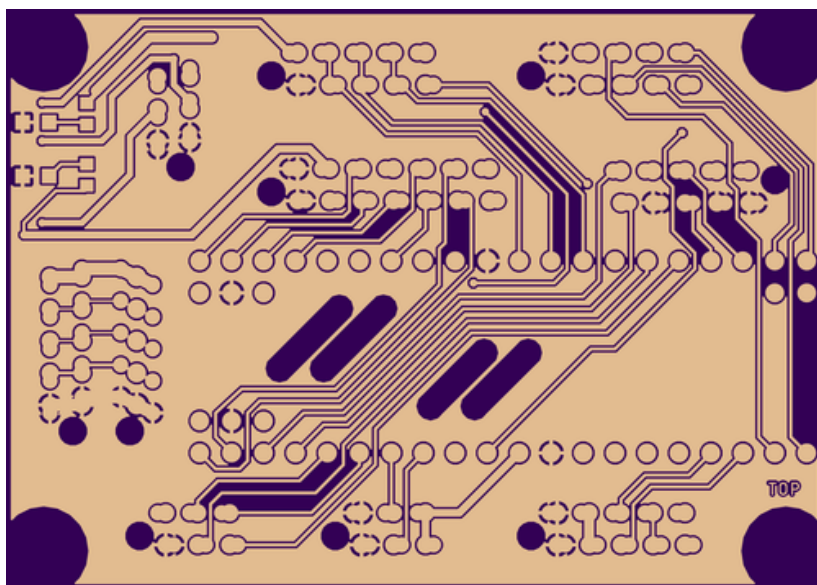


rules.

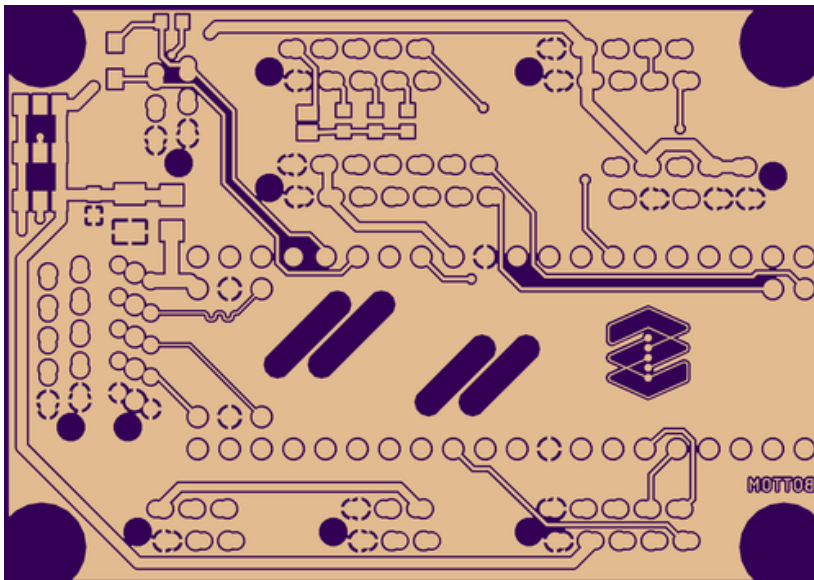
- min. drill 10mil
- min. width 6mil



Top copper



Bottom



From:

<https://midibox.org/dokuwiki/> - **MIDIbox**

Permanent link:

<https://midibox.org/dokuwiki/doku.php?id=dipboard32&rev=1535635083>

Last update: **2018/08/30 13:18**

