

DOUT Module

General Informations

A DOUT module is a digital output module, usually used to drive LEDs with a Midibox.

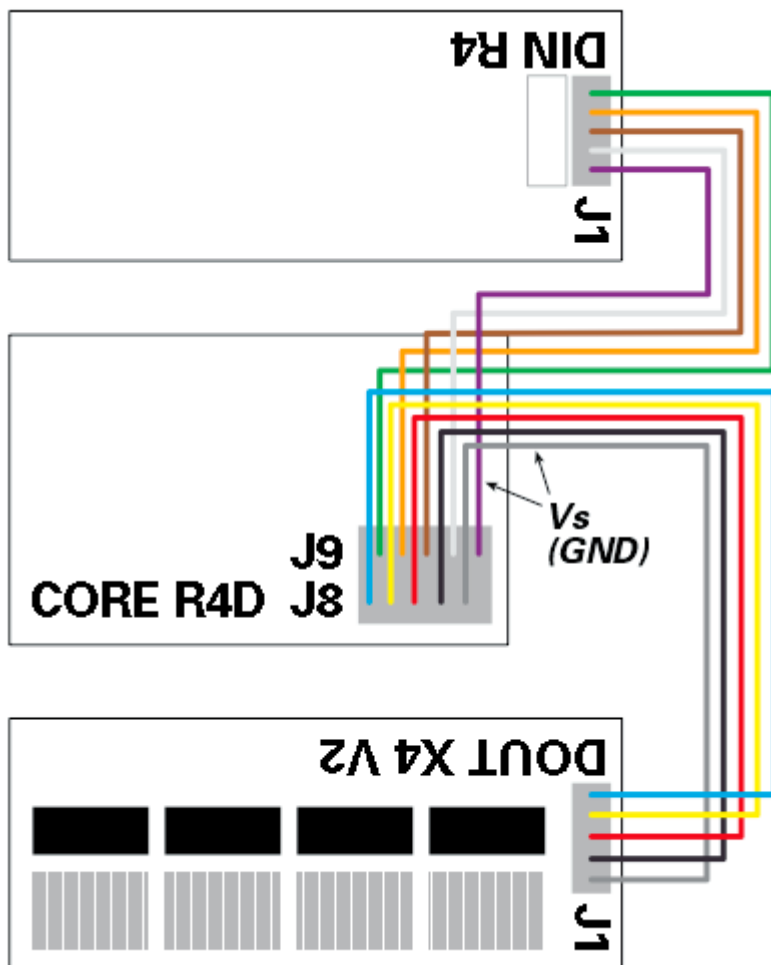
- [DOUT Module](#) ^{uCApps}
- [DIN & DOUT Pintable](#)

Note that hardware pin's will be counted D7 - D0 / O7 - O0 / QH - QA. In contrast, pins for DIN modules will be counted D0 - D7.

Refer the DIN & DOUT Pintable to see the relation between software pin numbers and hardware pins.

Connection to Core Module

Check the version of your Boards; if you're using SmashTV's Core that's equipped with double rows, you can build a split-cable to connect J8/J9 to a DIN and a DOUT:



From:

<https://midibox.org/dokuwiki/> - **MIDIbox**

Permanent link:

https://midibox.org/dokuwiki/doku.php?id=dout_module

Last update: **2016/07/11 16:24**

