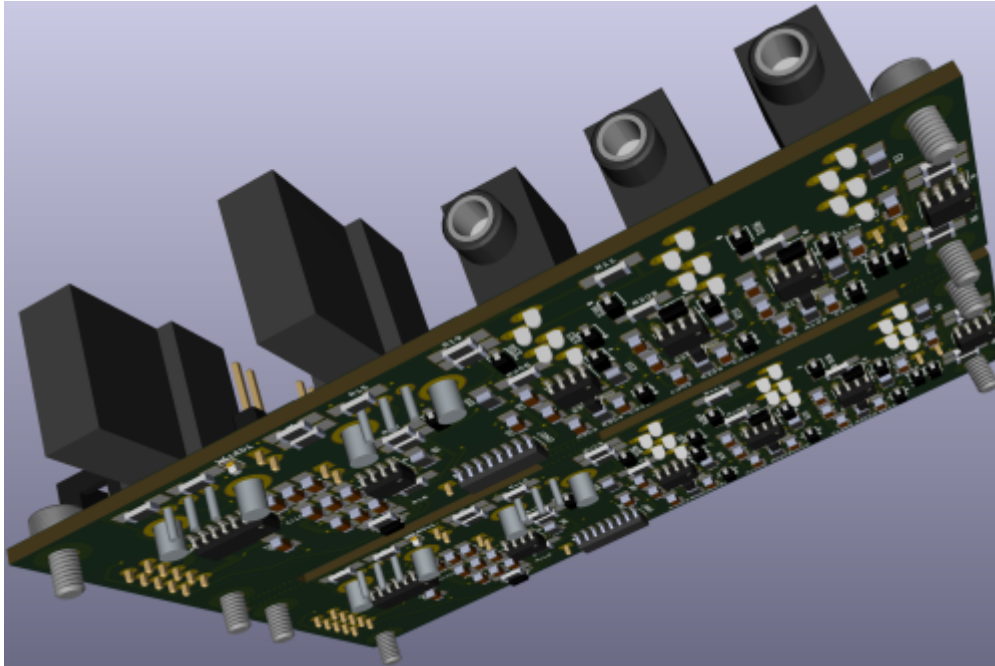


# Envelope Follower

based on Harry Bissel  
a SMD Variant, ready for Pick and Place



-shown 2 identical boards on one pcb - to save money..

## Features

- \* audio in \* Envelope out \* Gate out + Gate Threshold-Poti
- \* Full-wave rectifier
- \* 3 identical Peakdetectors which are Reseted from a "stepper"
- \* a Oscillator with tunable Frequency to drive the stepper
- \* Smoothingcap set via Jumper
- \* Debugging Jumpers
- \* PTC and Diode Polarity Protection on the Supply-side

## Hardware Requirements

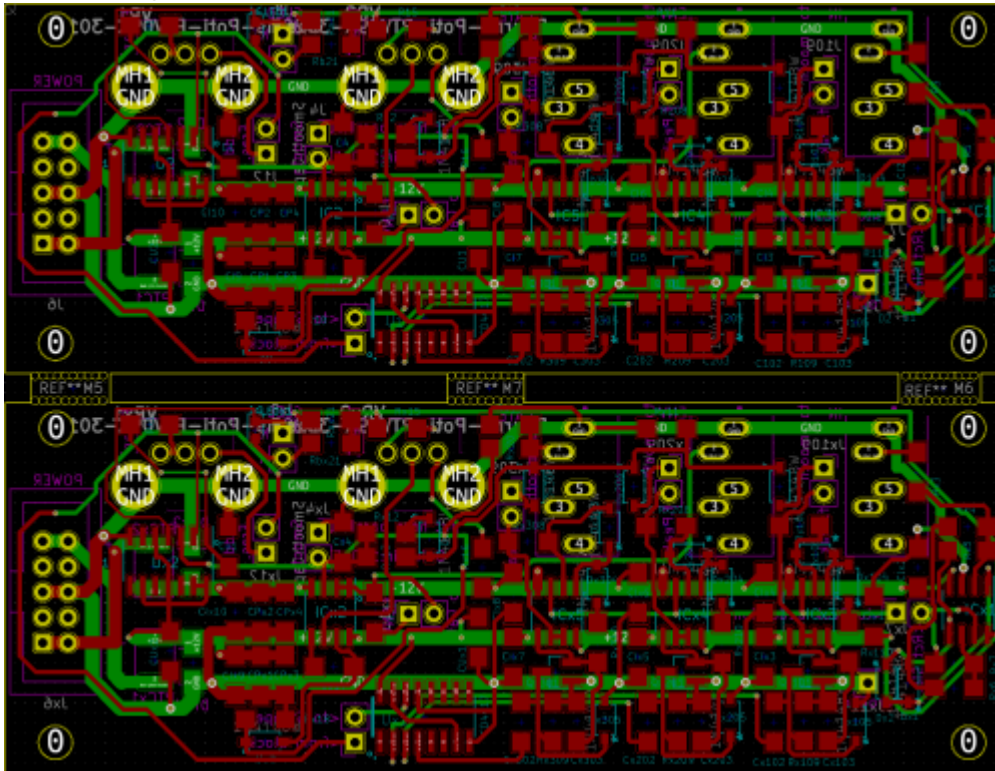
- This Device i build as input module for my [CV1](#) Project, but can be used for other things too
- Soldering Iron - with a Dip that can Handle SMD-Parts, Wires, solder Paste...
- Eurorack Power Source +-12V!

## Building

The Design is optimized for Pick and Place most SMD Parts are on the Top-PCB

i ordered 5 PCBs from JLCPCB with almost all SMD Parts presoldered(except 2 SOIC chips PTC and Protection Diode)

now waiting for Presoldered PCBs



## Frontpanel



- Eurorack Alu-Plate

## BOM LCSC

these are the parts which are presoldered by the Pick and Place Machine, these are “Basic” Parts the values with a “x” in it, like Dx1 — are because there are 2 Identical Parts on 1 PCB, because there 2PCBs on 1PCB.... so Dx1 is the same like D1, but its position is on the second board.

Value	Designator	Footprint	LCSC Part Number	Library-Type
100nF	C1,CU1,C11,C1x1,CUx1,Cx1,CU2,C2,C2x2,CUX2,CP3,C13,C1x3,CPx3,CP4,C4,C4x4,CPx4,C4,Cx4,C15,C1x5,C16,C1x6,C17,C1x7,C18,C1x8,C19,C1x9,C110,C1x10	1206	C24497	
1nF	C102,Cx102,C103,Cx103,C202,Cx202,C203,Cx203,C302,Cx302,C303,Cx303	1206	C35216	
47uF	CP1,CPx1,CP2,CPx2	1206	C96123	
1N4148W	D1,Dx1,D2,Dx2,D7,Dx7,D8,Dx8,D103,D103,D104,Dx104,D105,Dx105,D106,Dx106,D203,Dx203,D204,Dx204,D205,Dx205,D206,Dx206,D303,Dx303,D304,Dx304,D305,Dx305,D306,Dx306	SOD123	C81598	
TL072	IC1,ICx1,IC2,ICx2,IC3,ICx3,IC4,ICx4,IC5,ICx5	SOIC-8	C6961	
2N3904	Q101,Qx101,Q201,Qx201,Q301,Qx301	SOT-23	C20526	
100K	R12,Rx12,R13,Rx13,R17,Rx17,R18,Rx18,R108,Rx108,R110,Rx110,R208,Rx208,R210,Rx210,R308,Rx308,R310,Rx310	1206	C17900	
1K	R1,Rx1,R8,Rx8,R11,Rx11,R20,Rx20,Ra21,Rax21	1206	C4410	
2K	R19,Rx19	1206	C17944	
10K	R3,Rx3,R4,Rx4,R5,Rx5,R6,Rx6,R7,Rx7,R15,Rx15,R16,Rx16,R109,Rx109,R209,Rx209,R309,Rx309	1206	C17902	
220	Rb21,Rbx21	1206	C17958	

when making 10Boards...a total of **42,44€** presoldered on the PCBsincl Shipping and Import-Taxes

## BOM Mouser

These are the parts which has to be handsoldered

[copy list below](#), and paste in this link, you will need to order the project 2 times since 2PCBs are on 1PCB

583-FM4002|2

490-SJ1-3535NG-GR|3

523-G821EU210AAL10Y|1

650-MINISMDC014F-2|2

771-HEF40106BTD-T|1

595-CD4017BM|1

652-PTV09A-3015FB103|1

652-PTV09A3020FB104|1

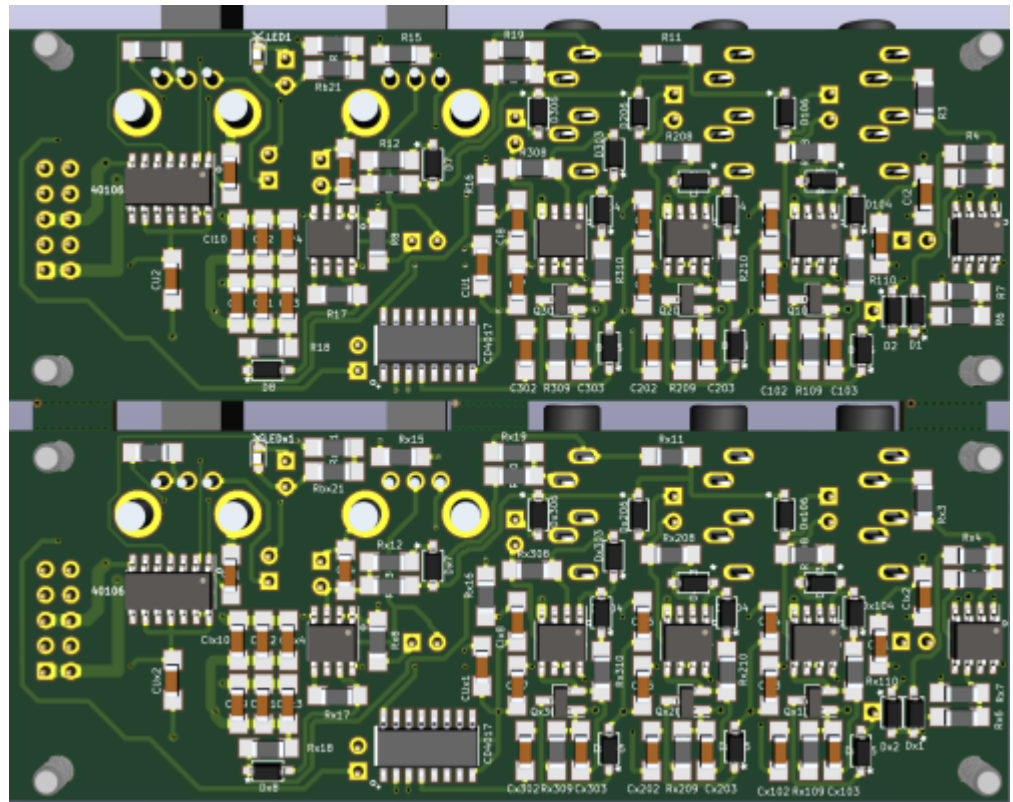
for prototyping i ordered:

**490-SJ1-3535NG-GR** instead of **490-SJ1-3535NG** because it is out of stock - so **GREEN sockets** for now!

when making 10PCBs this make a total of **69,83€** incl Shipping/VAT which is free above 50€!

There are 2 SOICs that have to get Handsoldered, i have done this before and its easy!





the actual Picture is this

## Overall Material Costs

PCB:**42,44€** + MouserParts: **69,83** = 111,46€ / **10** PCBs = **11,14€ a PCB**  
(where half off work is done by pick and place machine!)

## Kicad Files & Production Files

V1. from 05.01.2021 [env-follower.zip](#)

Schematic, Board, Gerber, Pick and Place and Booms, ready for Pick and Place!

—at the moment untestet, since i order the project just now!

as Example what you see if you got thru the ordering process:

2021-01-06 | W20210101



SMT Assembly

Order #: 23438-2436262A

Build Time: 1 day

5 pcs \$28.36

[Product Details](#)

bom-LCSC.xls

cpl.xls

[Reviewing](#)

File review will be completed in 10-60 mins when business hours.

Merchandise Total: \$30.87

Shipping Charge: \$18.71

Order Total: \$49.58



PCB Prototype

Order #: 62A

Build Time: 2-3 days

5 pcs \$2.51

[Product Details](#)

follow\_Y6

[Reviewing](#)

File review will be completed in 10-60 mins when business hours.



JiaLiChuang (HongKong)Co., Limited

Unit 21, 28/F, Metropole Square  
No.2 On Yiu Street, Shatin  
New Territories  
HONG KONG  
support@jlcpcb.com  
+86 755 23919769  
JLCPCB.COM

Invoice No: [REDACTED]  
Invoice Date: 06/01/2021  
Batch No.: W20210101

Ship To:

michael sigl  
[REDACTED]  
AUSTRIA  
Email: [REDACTED]  
Tel: ++43710079879  
VAT No:

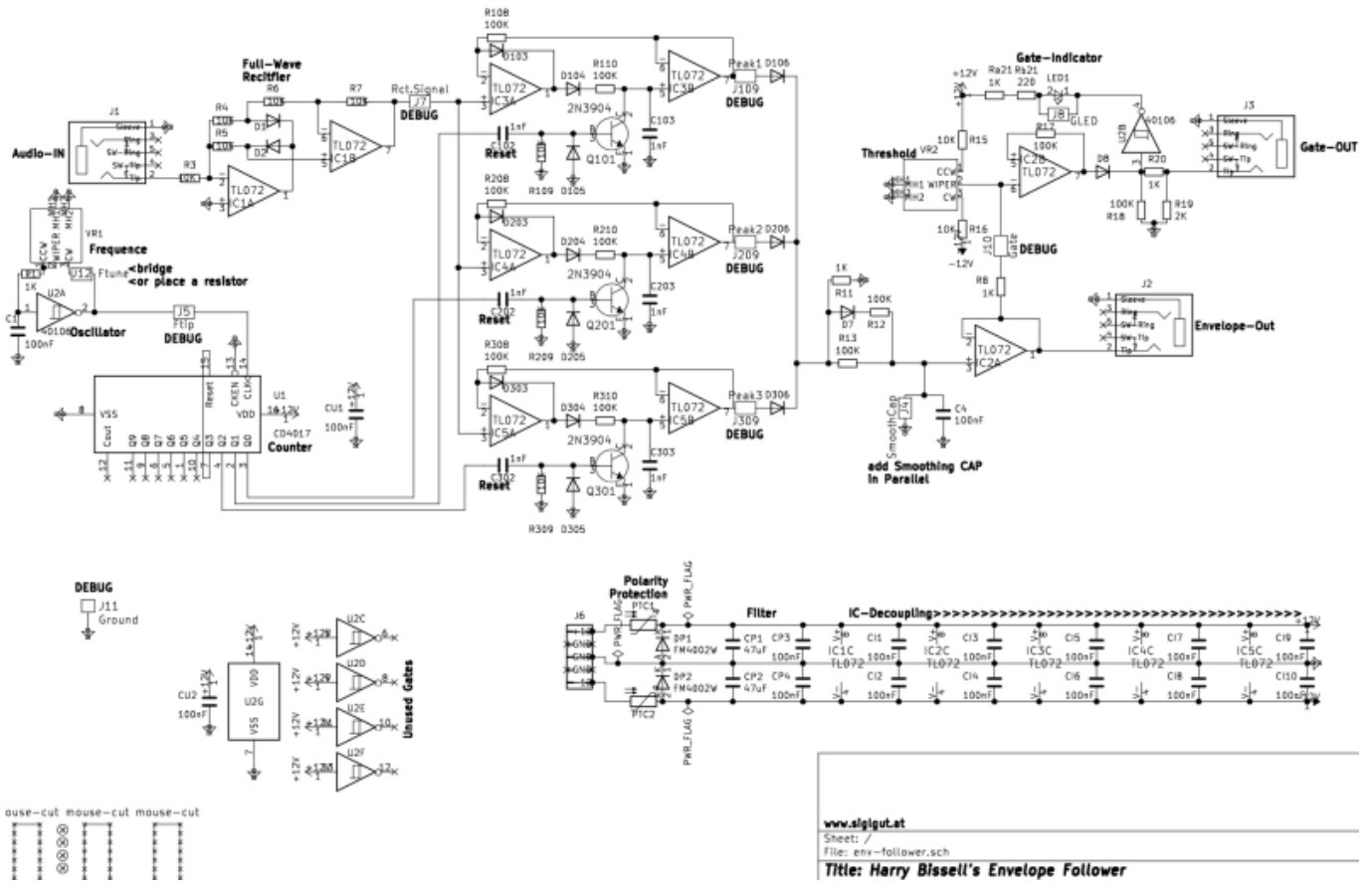
Billing To:

michael sigl  
[REDACTED]  
AUSTRIA  
Email: [REDACTED]  
Tel: ++43710079879  
VAT No:

Description	HS Code	Order Number	QTY	Unit Price	Total
PCB Assembly	7314500000	23438-2436262A	5	\$5.6720	\$28.36
PCB Samples	8534000000	Y6	5	\$0.5020	\$2.51

Subtotal: \$30.87  
Shipping: \$18.71  
Grand Total: \$49.58

# Schematic



## To Do

experiment with the Smoothing CAP, i already implimented a Jumper which add a second Capacitor to "double" the capacity... i took 220+220nF, but maybe it is better to use 100+220nF?  
experiment with the Frequency Pot which is a lin10K + 2K Serial Resistor which gives a range of 2K-12K - really dont know what value spectrum we need here!  
adding some Jumpers to break the circuit for debugging or measurement  
frontplate, Debugging First Version  
In order to Debug and Test and finetune the board i placed some Headers/Jumpers:  
ENV-Follower-3D-bottom.png

## Resources

- [muffwiggler-topic](#)
- [modified-schematic](#)
- [THT-PCB](#)
- [THT-PCB-Schematic-BUT Attention it is not correct!](#)
- [THT-PCB-BOM](#)
- [Haralds-Hi-Clock-Measurements](#)

# Community users working on it

- **Phatline** = Programming, Documentation...

Just let a Private message on the forum to user already involved.

I have ProtoBoards here - i test one, and if it works, i can share them for Beta Testing-if you pay the postage

From:

<https://midibox.org/dokuwiki/> - **MIDIbox**

Permanent link:

<https://midibox.org/dokuwiki/doku.php?id=envelope-follower-bissel-based&rev=1609885503>

Last update: **2021/01/05 22:25**

