

This page lists the known errors on the gm5x5x5 PCBs. There are no known issues with the bulk order run (white pcbs), the following information is valid **only** for the prototype run (green pcbs).

Prototype Run

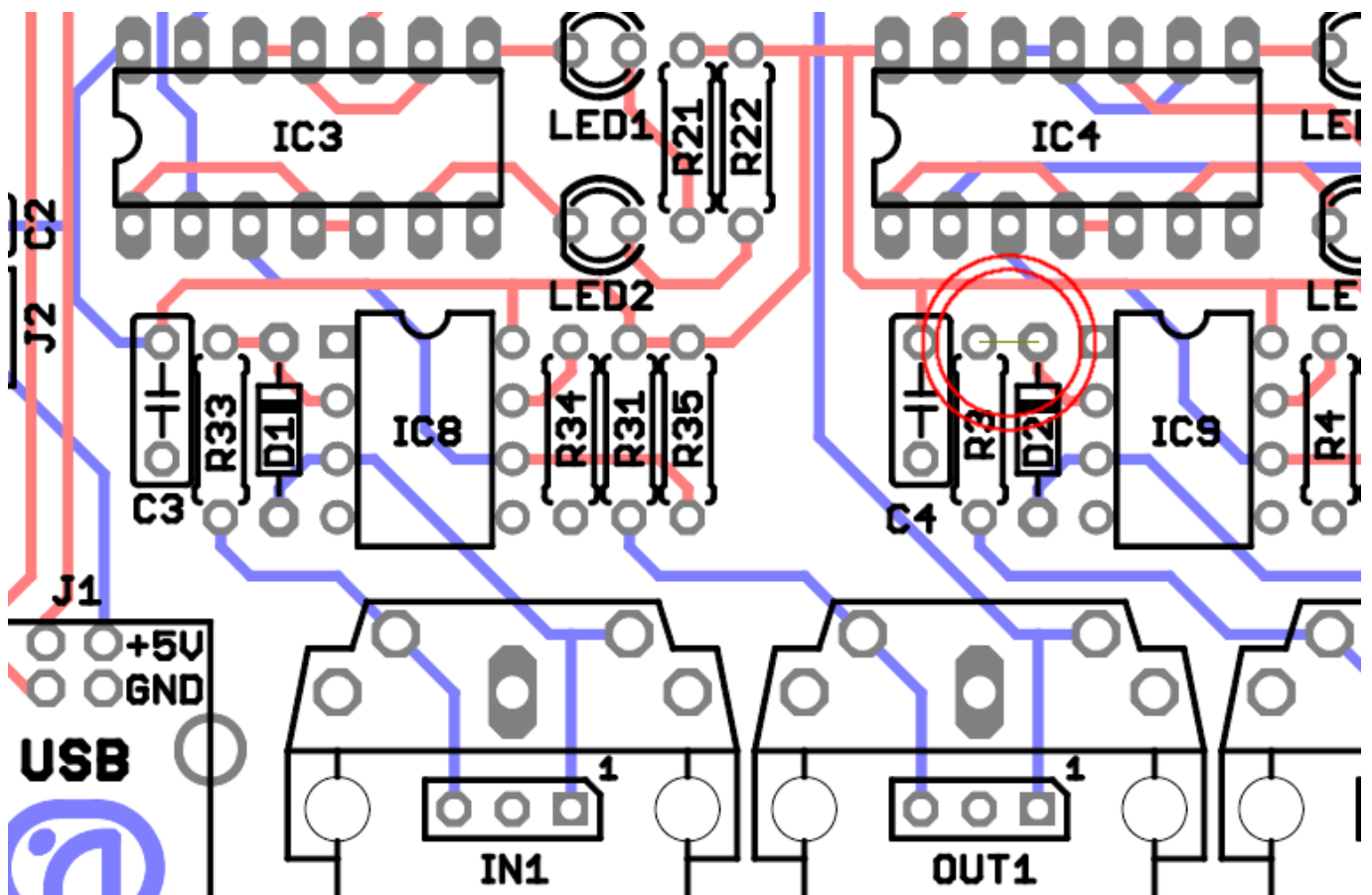
#1 MIDI IO pins

Problem: The MIDI IO pins of the midi sockets (Pin 4 + 5) are switched.

Solution: Either (1) use the pin-headers if you use sockets that are not mounted on the pcb or (2) break the traces to pins 4 + 5 of the sockets and solder wires to them or (3) solder the midi sockets on the other side of the pcb.

#2 MISSING TRACK

Problem: A track between D2 and R3 is missing.



Solution: Bridge the pins.

From:

<https://midibox.org/dokuwiki/> - **MIDIbox**

Permanent link:

https://midibox.org/dokuwiki/doku.php?id=gm5x5x5_errata&rev=1236037202



Last update: **2009/03/02 23:40**