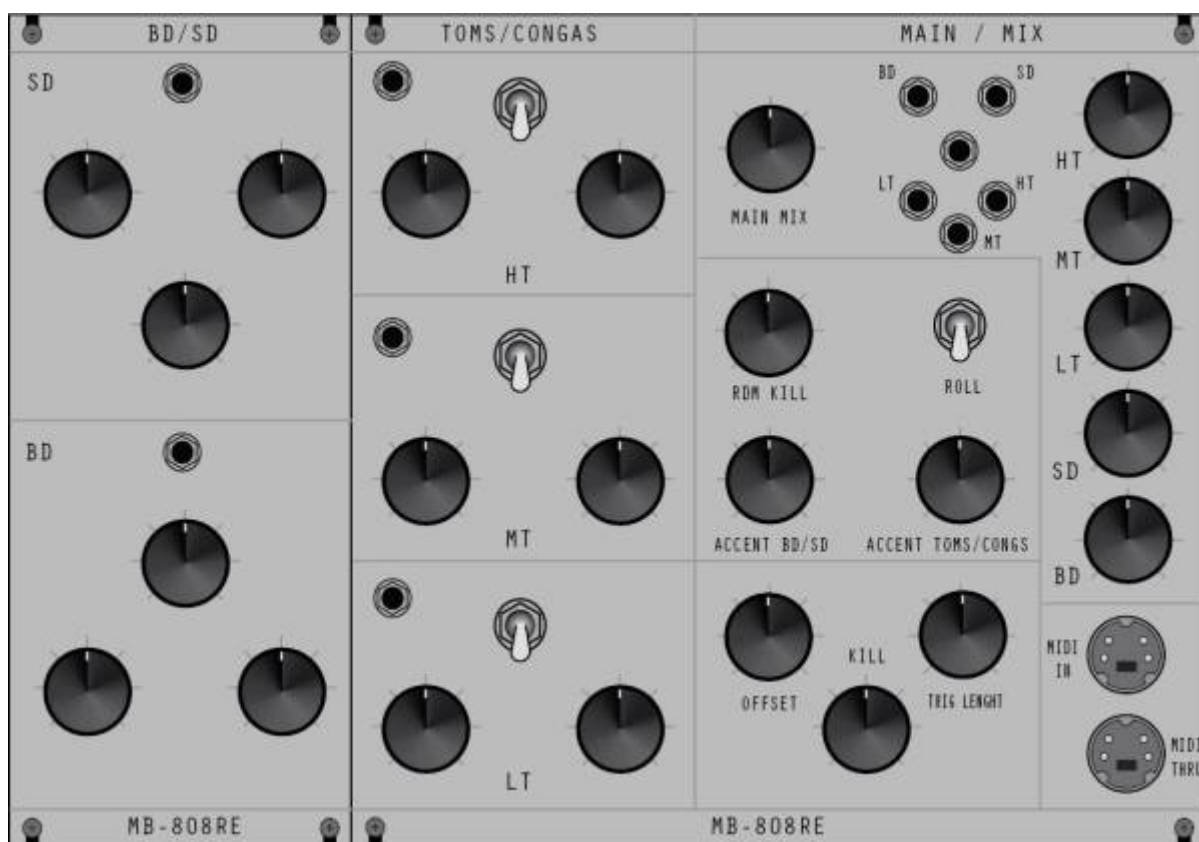


# MB-808-RE

## Introduction

The MB-808-RE is a re-edit of TOMS/CONG and BD/SD drum parts of the Roland TR-808 to be controlled via MIDI or CV in a a Eurorack-designed panel.It's based upon the work done on MB-606RE Some Circuit Mods from around Web & time are included .

## FrontPanel



## Community users working on it

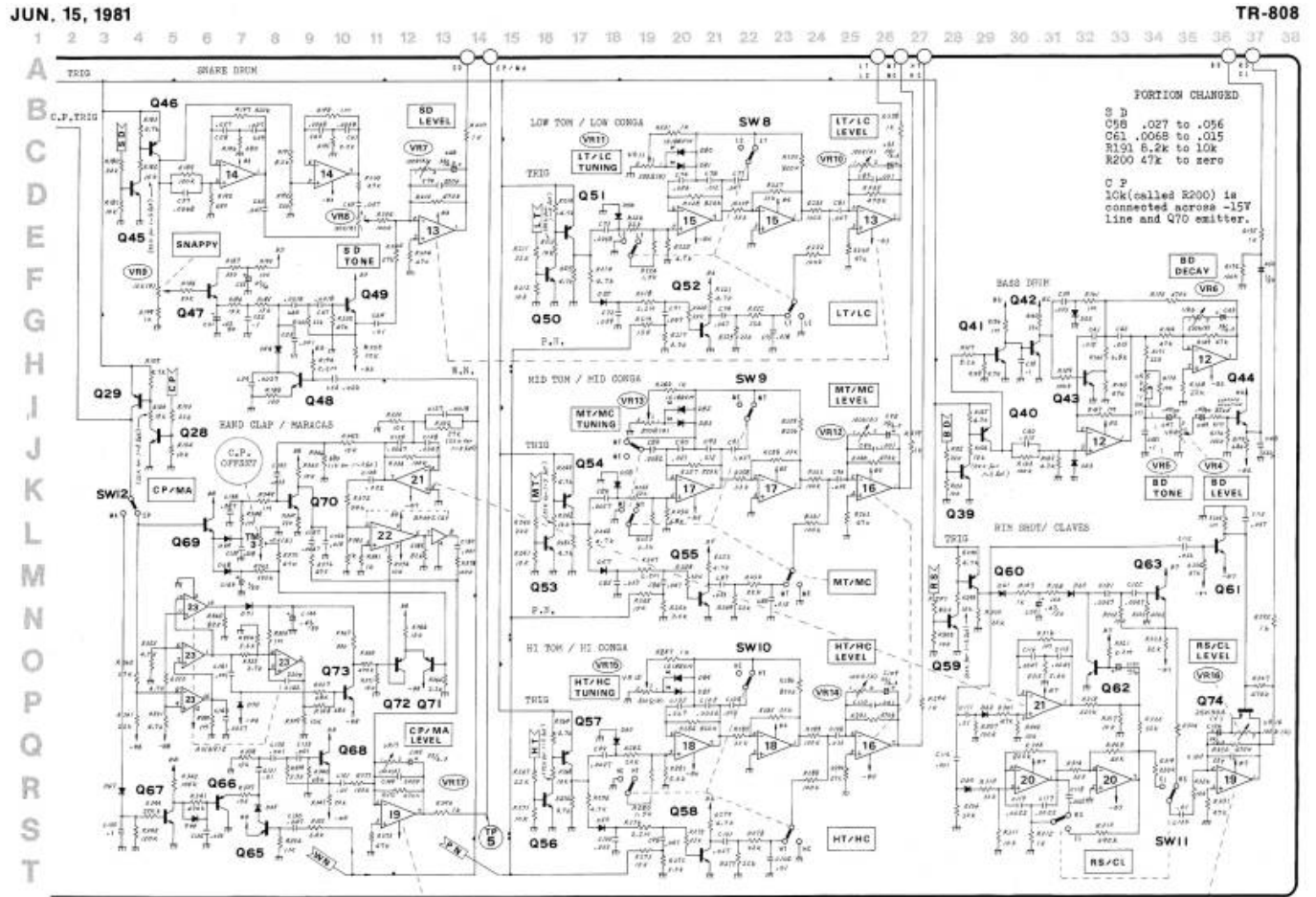
- **Phatline** = BD+SD-PCB , BD+SD UI-PCB, AOUT\_LC/5xTrigger/MIDI-CV In PCB,Program4Core
- **Psykhaze** = AOUT\_LC/5xTrigger/MIDI-CV In PCB, TOMS/CONG PCB, Main UI PCB, Alu Plates Sourcing & Design

## Getting Involved ?

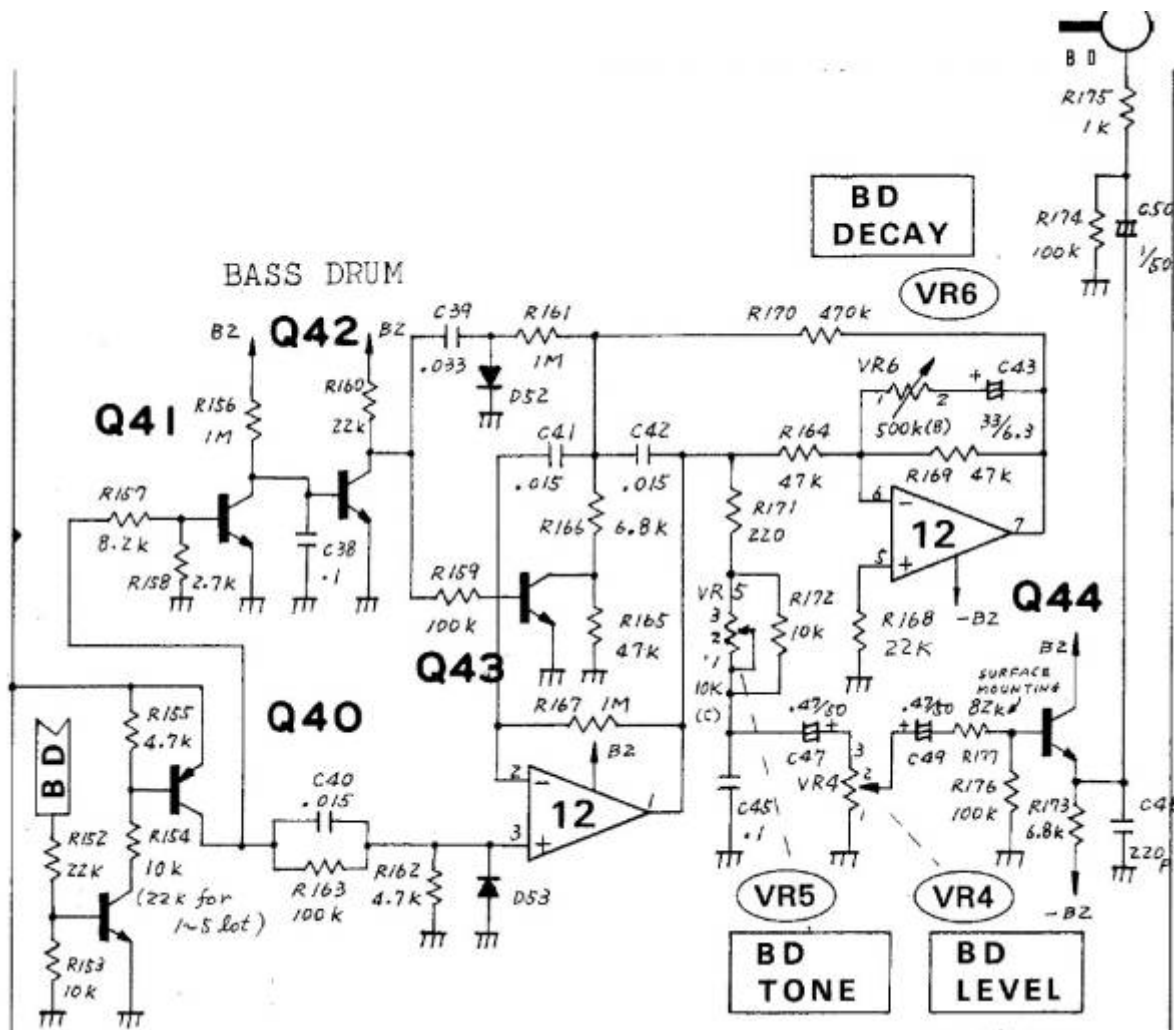
Just let a Private message on the forum to users already involved

# Original Schematics

## Global



## BD/SD





### Toms/Congas



From:

<https://midibox.org/dokuwiki/> - **MIDIbox**

Permanent link:

<https://midibox.org/dokuwiki/doku.php?id=mb-808re&rev=1467599657>

Last update: **2016/07/04 02:34**

