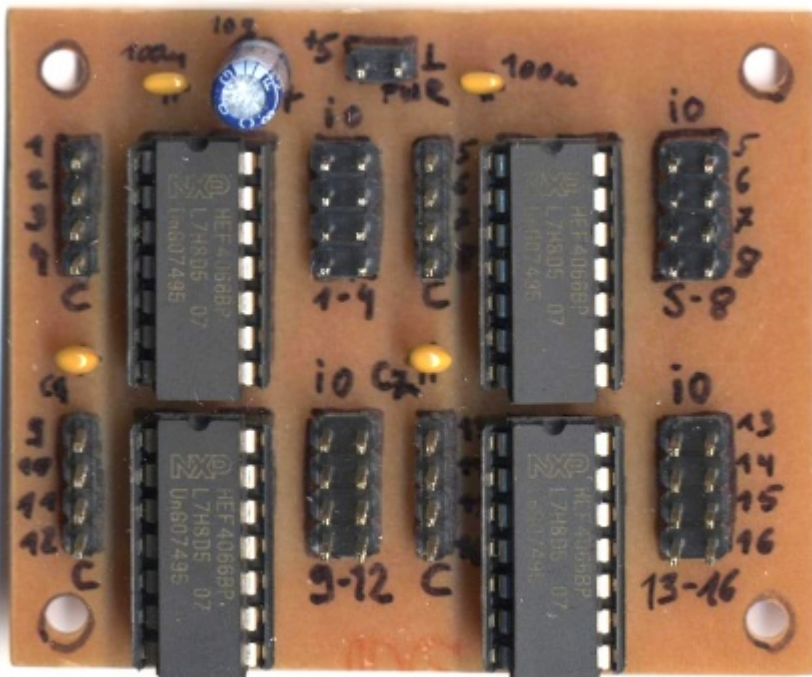


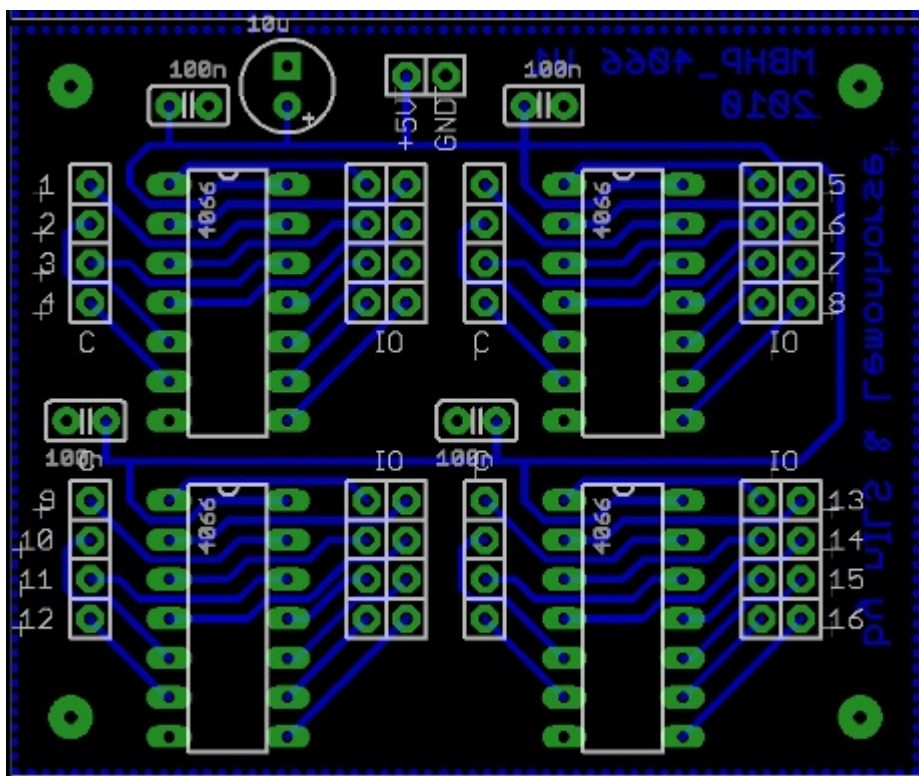
The MBHP_4066 Board

For MIDifying old analog Sound gear You'll need bilateral switches in some cases. In my case I needed more than 100 of them! For that reason I created the **MBHP_4066** board. One MBHP_4066 board provides 16 bilateral switches. For more Information have a look of the pdf file below.

Thanks for the engaged support **nILS** and **PCB Mike**!



The MBHP_4066 Board



The MBHP_4066 Board

Overview and Details of the MBHP_4066 Board

- Information about the MBHP_4066 V1 board ==>
<http://www.subfrequenz.net/midibox/vss200/mbhp4066v1/MBHP4066V1.pdf>
- Mike will provide the MBHP_4066 board in his Onlineshop ==>
http://www.mikes-elektronikseite.de/mshop_englisch/
- 4066 Datasheet (found no better source yet) ==>
<http://pdf1.alldatasheet.com/datasheet-pdf/view/8175/NSC/4066.html>

- Lemonhorse (28.05.2010)

From:
<https://midibox.org/dokuwiki/> - **MIDIbox**

Permanent link:
<https://midibox.org/dokuwiki/doku.php?id=mbhp4066&rev=1275079882>

Last update: **2010/05/28 20:51**

