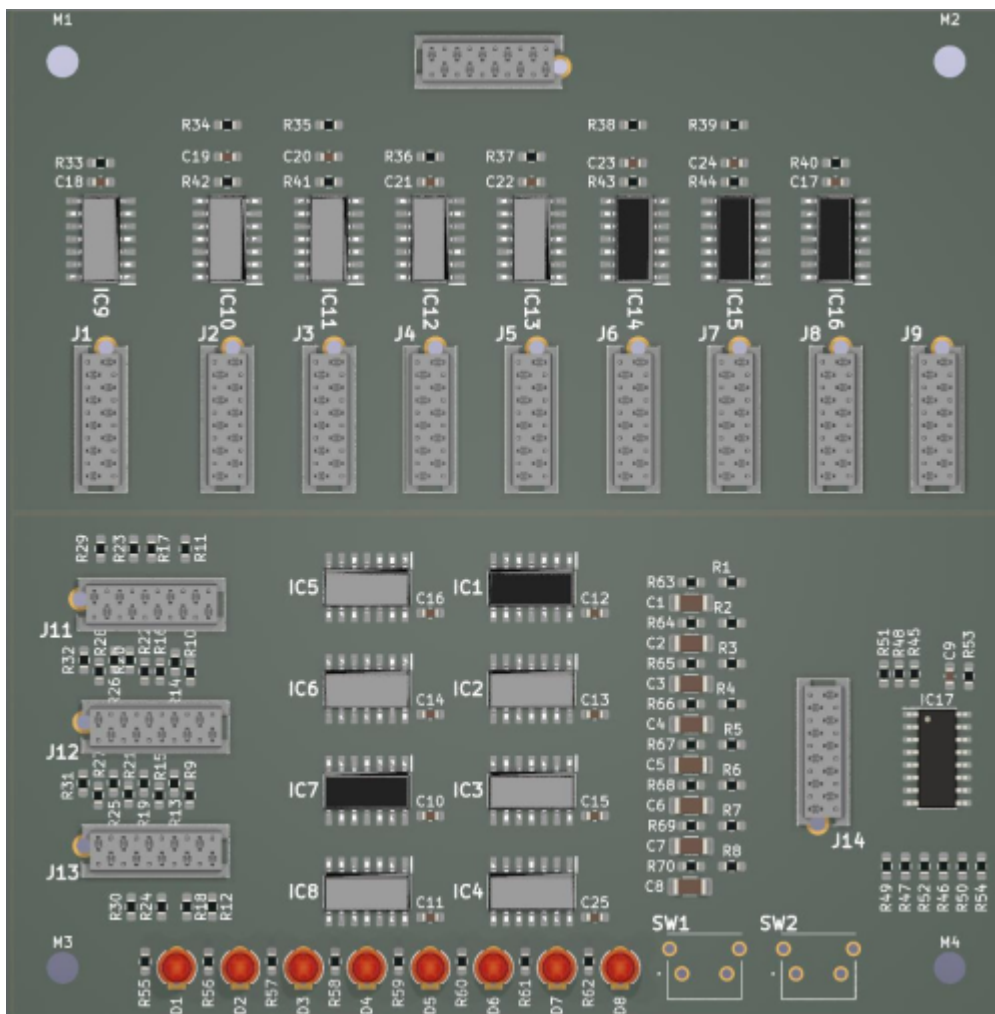


# SRIO-ROUTER



- \* **Route 1 Userinterface to 8 Cores**
- \* **So you save space in your Eurorack**
- \* **So you save money**
- \* **Route SRIO (J89 aka DIN and DOUT)**
- \* **ROUTE 8x OLED Screens (with a extra expansion PCB...)**



\* No Support for AIN

ready for Pick and Place

-all Parts are presoldered except:

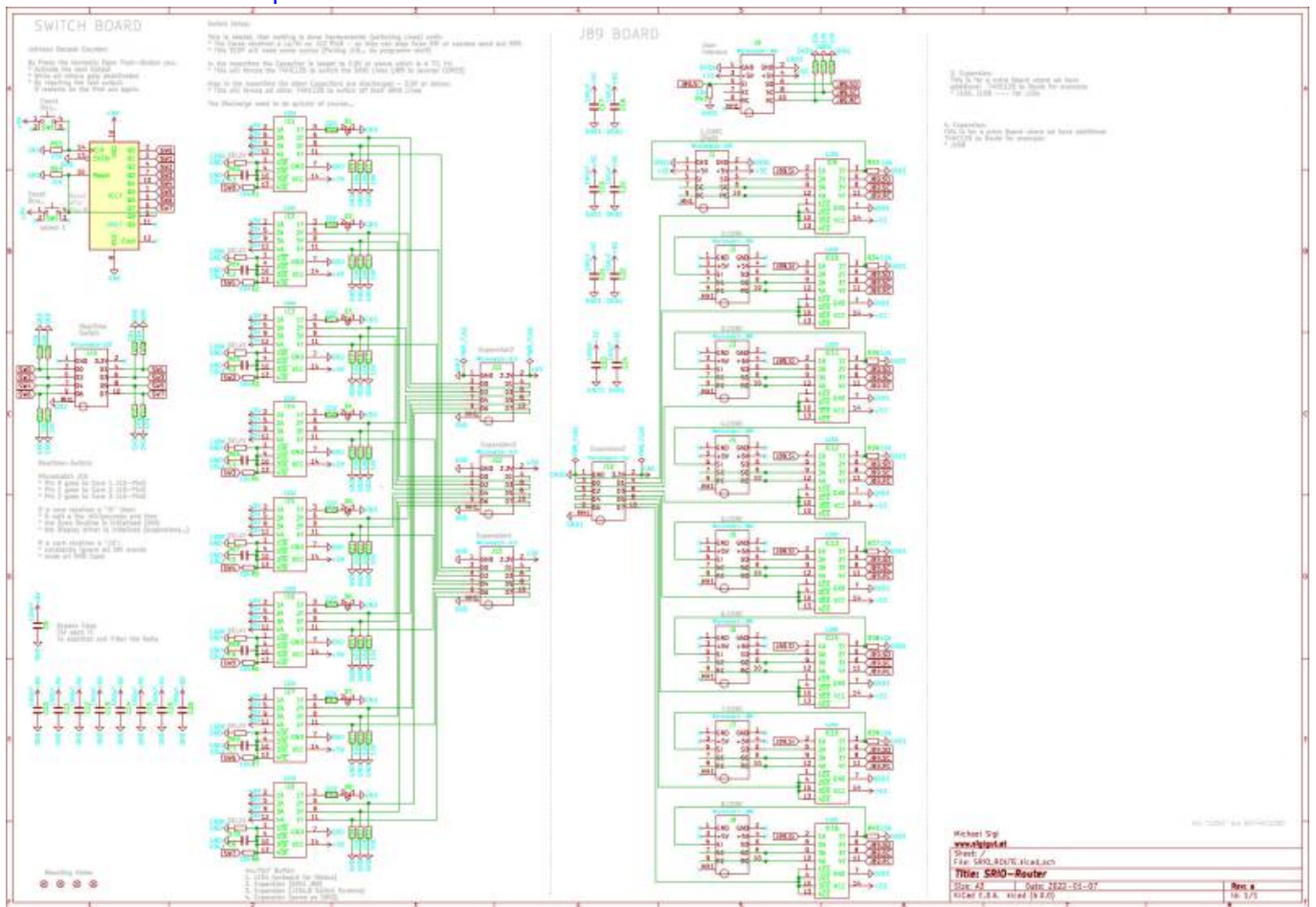
- 2x Switches
- 8x LEDs
- Micromatch Headers

# Hardware Requirements

- up to 8 CV1 or other MIOS32 Cores
- Soldering Iron - with a Dip that can Handle Thruhole-Parts, solder Paste...
- dont forget the Micromatch connectors, and Ribbon cables

# Schematic

[srio-router-schematic.pdf](#)



# Building

The Design is optimized for Pick and Place > all SMD Parts are on the Top-PCB  
 The Rest is Thruhole > easy handsolder

now waiting for Presoldered PCBs

## BOM

these are the parts which must be handsoldered

### 14-24x Micromatch Header 2x5p:

Mouser: [571-12150790](#)

Reichelt: [MPE 369-1-010](#)

LCSC: [C590954](#)

### 14-24 Micromatch Plug 2x5p or even more...:

Mouser: [571-1-2178712-0](#)

Reichelt: [MPE 372-1-010](#)

### 2x Tact Switch:

Mouser: [113-DTSA-65N-V](#)

Reichelt: [TASTER 3305B](#)

### 8x 3mm LED Thruhole ca 400mcd: Mouser: [859-LTL1CHJETNN](#)

Reichelt: [EVL 1224-10SURC](#)

### Flat-band-Cable - 30m !!! x 40pins...last forever:

Mouser: [617-09180407001](#)

## BOM LCSC

these are the parts which are presoldered by the Pick and Place Machine

Comment	Designator	Footprint	LCSC Part Number
47uF	C1,C2	1206	C96123
100nF	C3,C4,C7,C8	0805	C49678
10uF	C5,C6	1206	C13585
LED-Yellow	Da1,Db1,Dc1,De1,De1-Da19,Db19,Dc19,Dd19,De19	0603	C72038
180	R1-R5	0603	C22828
1K	R6,R7	1206	C4410
10k	R8-R25	0603	C25804
74HC595	U1-U3	SOIC-16	C5947
74HC165	U4,U5	SOIC-16	C5613

## PART Locations



## To Do

# Community users working on it

- **Phatline** = PCB & Schematic, UI-Programming, Documentation...

Just let a Private message on the forum to user already involved.

From: <https://midibox.org/dokuwiki/> - **MIDIbox**

Permanent link: <https://midibox.org/dokuwiki/doku.php?id=srio-router&rev=1641623881>

Last update: **2022/01/08 06:38**

