

# TM5 Codeblock



this is one essential part for my [triggermatrix5](#)

it handles the Menue and the Buttons...

# Schematic



# Building and BOM

100 THT, and handsolder

## BOM

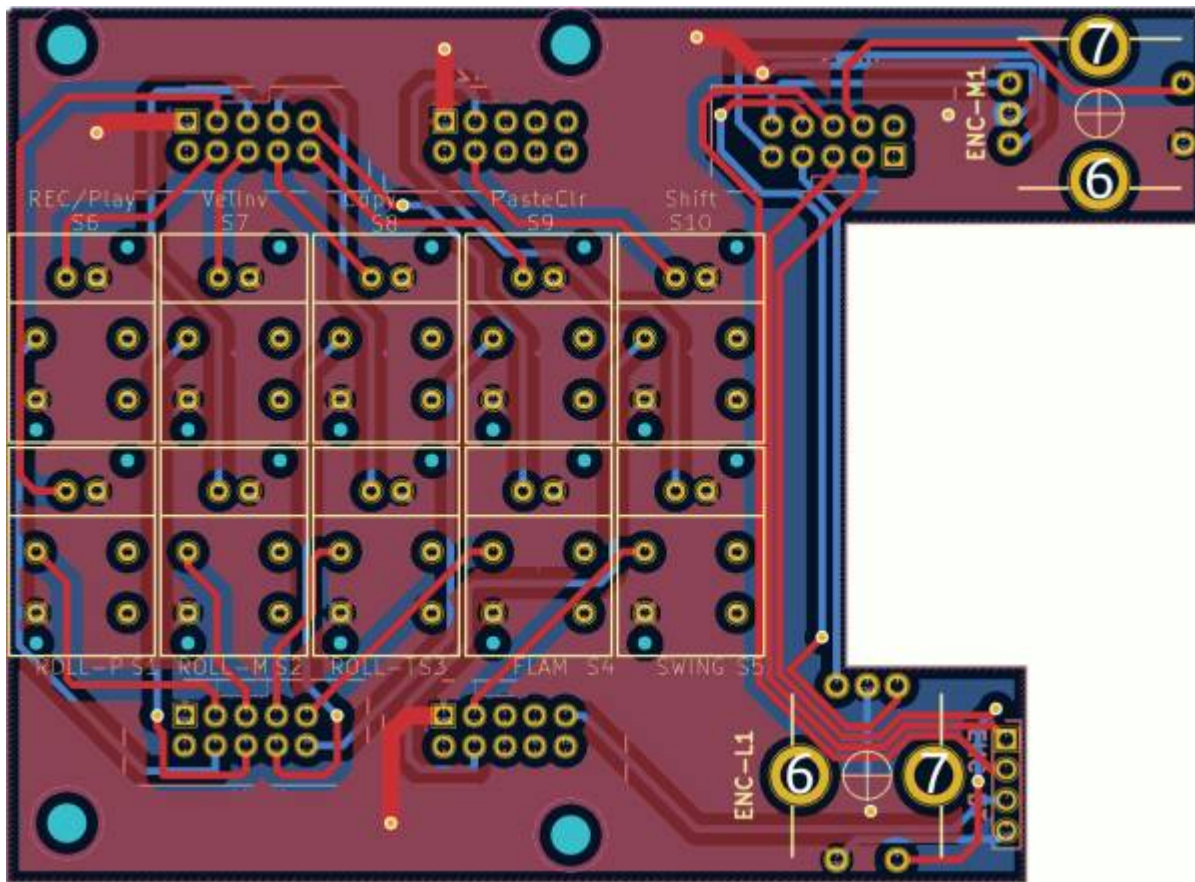
qty	reference	value	mouser
3	ENC	PEC11R-4015F-S0024	652-PEC11R-4015F-S24
1	ENC-R1	Pin-Head-1x4-Male	649-1012937890401BLF
5	JDIN1, JDIN2, JDIN3, JDOUT1, JDOUT2	Pin-Header-Shroudlet-2x5-THT-DIN	517-30310-6002
10	S1-S10	reichelt.de	DTL 2 SW Reichelt!

copy following list into this [mouser.com-Link](https://www.mouser.com)

652-PEC11R-4015F-S24|3

649-1012937890401BLF|1  
517-30310-6002|5

The Switches you need 10 - take this [reichelt.de-Link](https://reichelt.de)



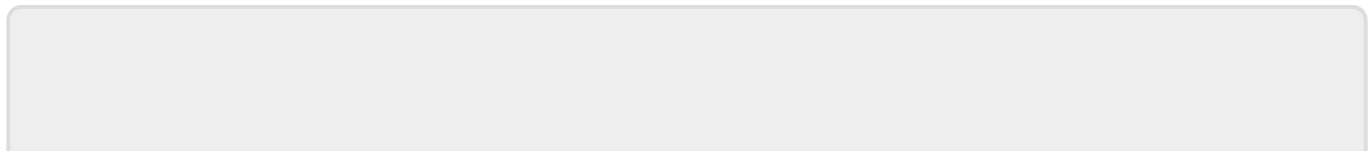
## To Do

waiting for the Prototype

## Community users working on it

- **Phatline** = PCB & Schematic, UI-Programming, Documentation...

Just let a Private message on the forum to user already involved.  
or join the forum: [Triggermatrix 5](#)



From:

<https://midibox.org/dokuwiki/> - **MIDibox**

Permanent link:

<https://midibox.org/dokuwiki/doku.php?id=tm5-codeblock&rev=1672252509>

Last update: **2022/12/28 18:35**

