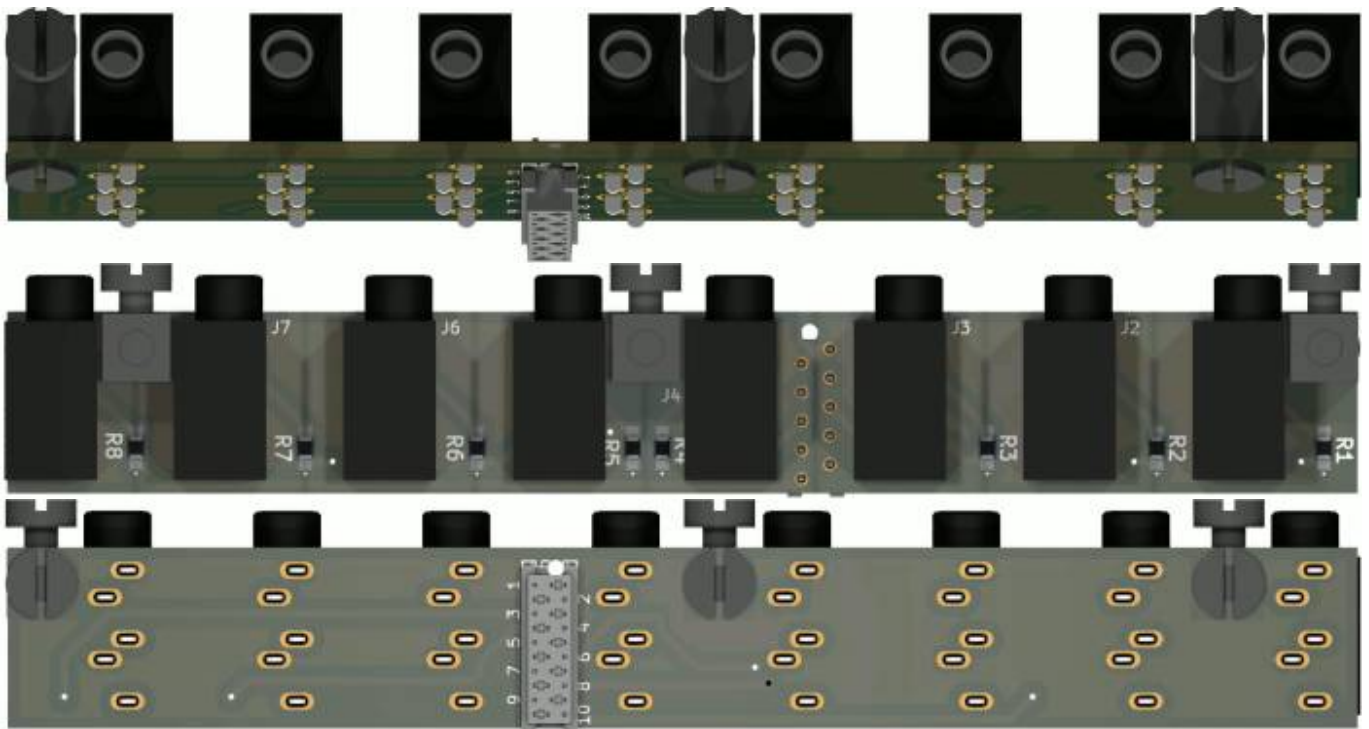
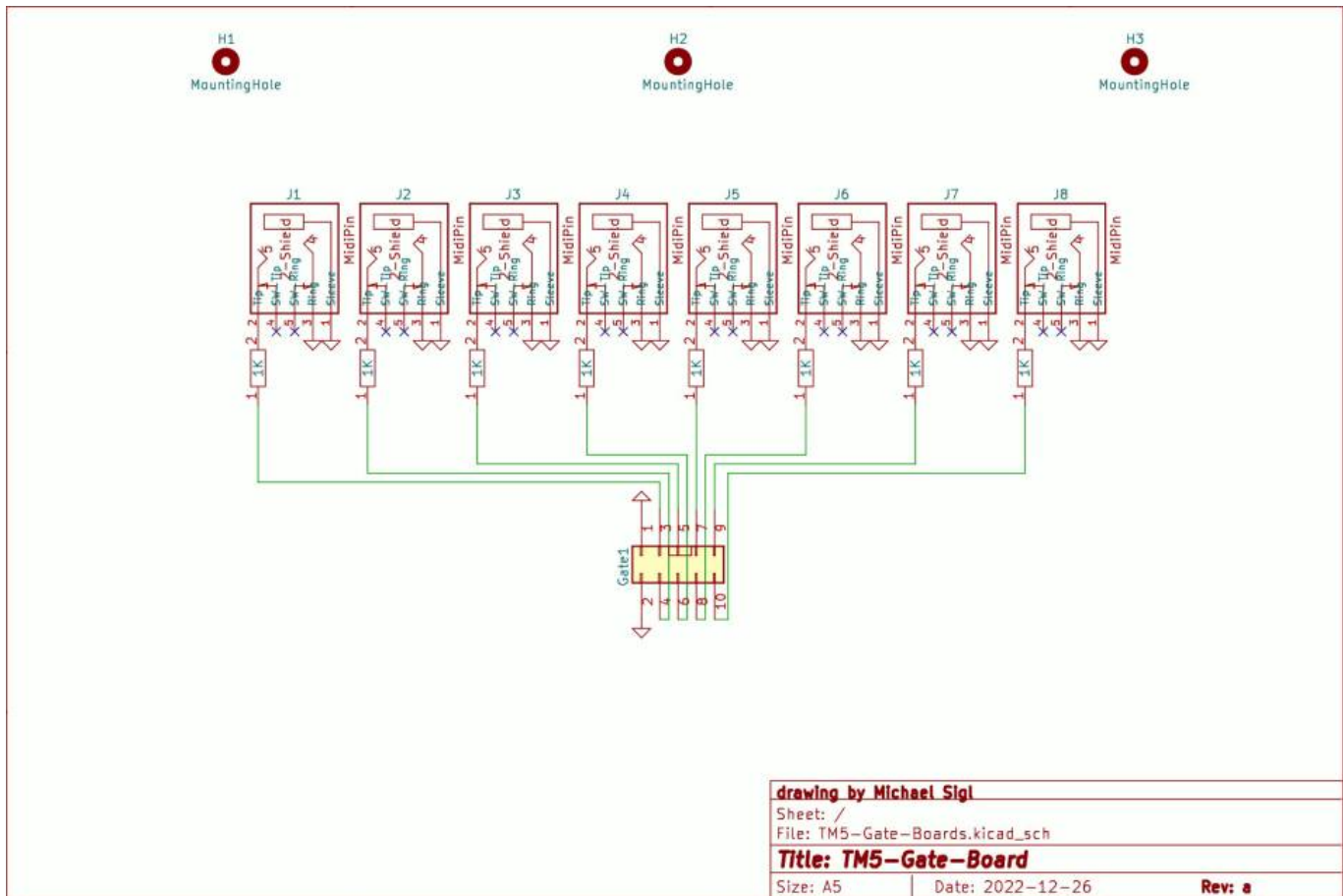


TM5 Gate-Expansion



This are the Gate In/Out boards, 4 off them are needet to get 16x Gate-input/Trigger, and 16x Gate-Output

Schematic



Building and BOM

You need this PCB 4times

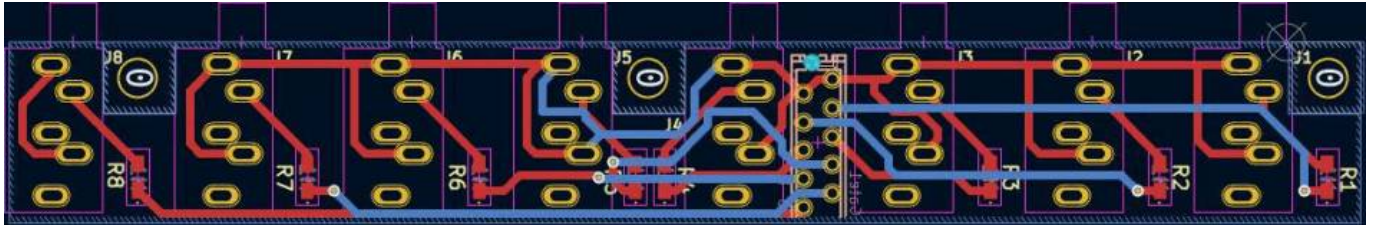
BOM

| qty | reference | value | footprint | MouserPartNr |
|-----|-----------|-----------------------|------------------------|------------------|
| 1 | Gate1 | Header-2x5-Micromatch | Header-2x5-Micromatch | 571-1-2178710-0 |
| 8 | J1-J8 | 3.5Jack for Gates | 3-5JACK-CUI_SJ1-3535NG | 490-SJ1-3535NG |
| 8 | R1-R8 | 1K | R-1K-0805-250mW | 667-ERJ-P06J102V |

ok this is a list for one PCB, for Triggermatrix you need that 4times!
copy following list into this [mouser.com-Link](https://www.mouser.com)

```
571-1-2178710-0|4
490-SJ1-3535NG|32
667-ERJ-P06J102V|32
```

The 3x Montage Blocks H1,H2,H3 * 4 = 12 - is already included in the [triggermatrix5](#) - BOM!



To Do

waiting for Prototype PCB

Community users working on it

- [Phatline](#) = PCB & Schematic, UI-Programming, Documentation...

Just let a Private message on the forum to user already involved.
or join the forum: [Triggermatrix 5](#)

From:

<https://midibox.org/dokuwiki/> - **MIDIbox**

Permanent link:

<https://midibox.org/dokuwiki/doku.php?id=tm5-gate-board&rev=1672252928>

Last update: **2022/12/28 18:42**

