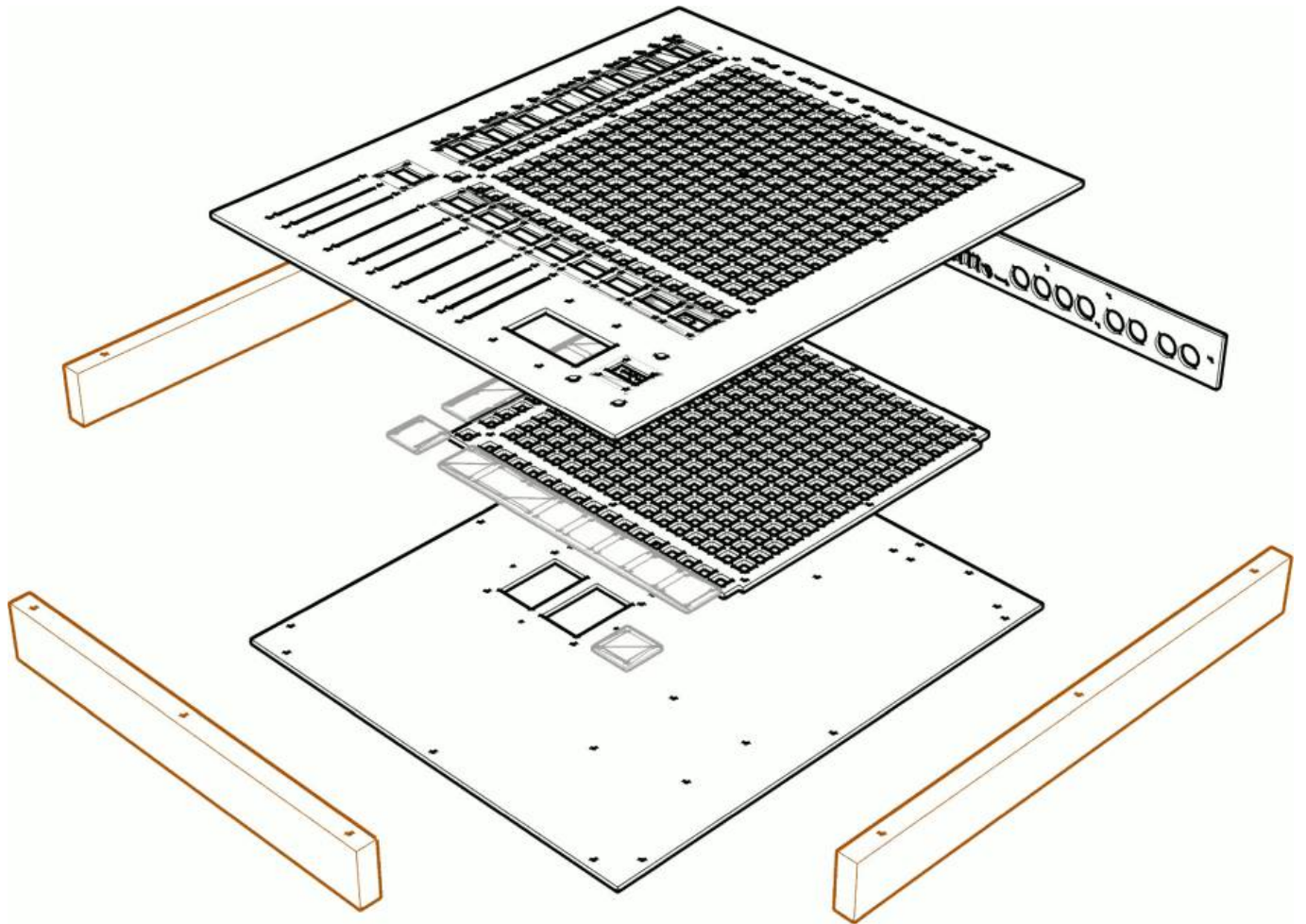


# TM5 Housing

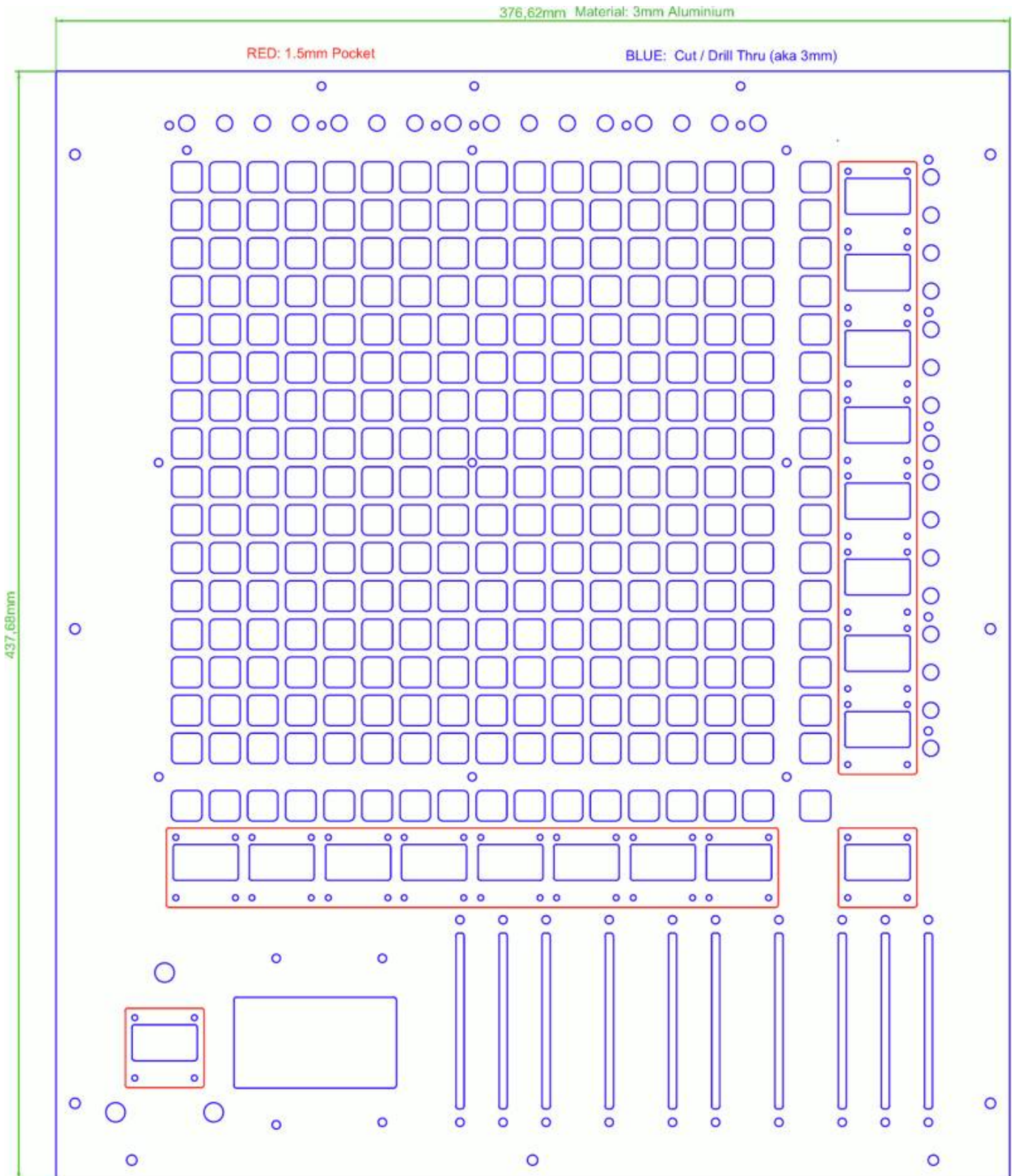


## Panels



## Frontpanel

[tm5-frontpanel.zip](#)



## Backpanel

[tm5-backpanel.zip](#)



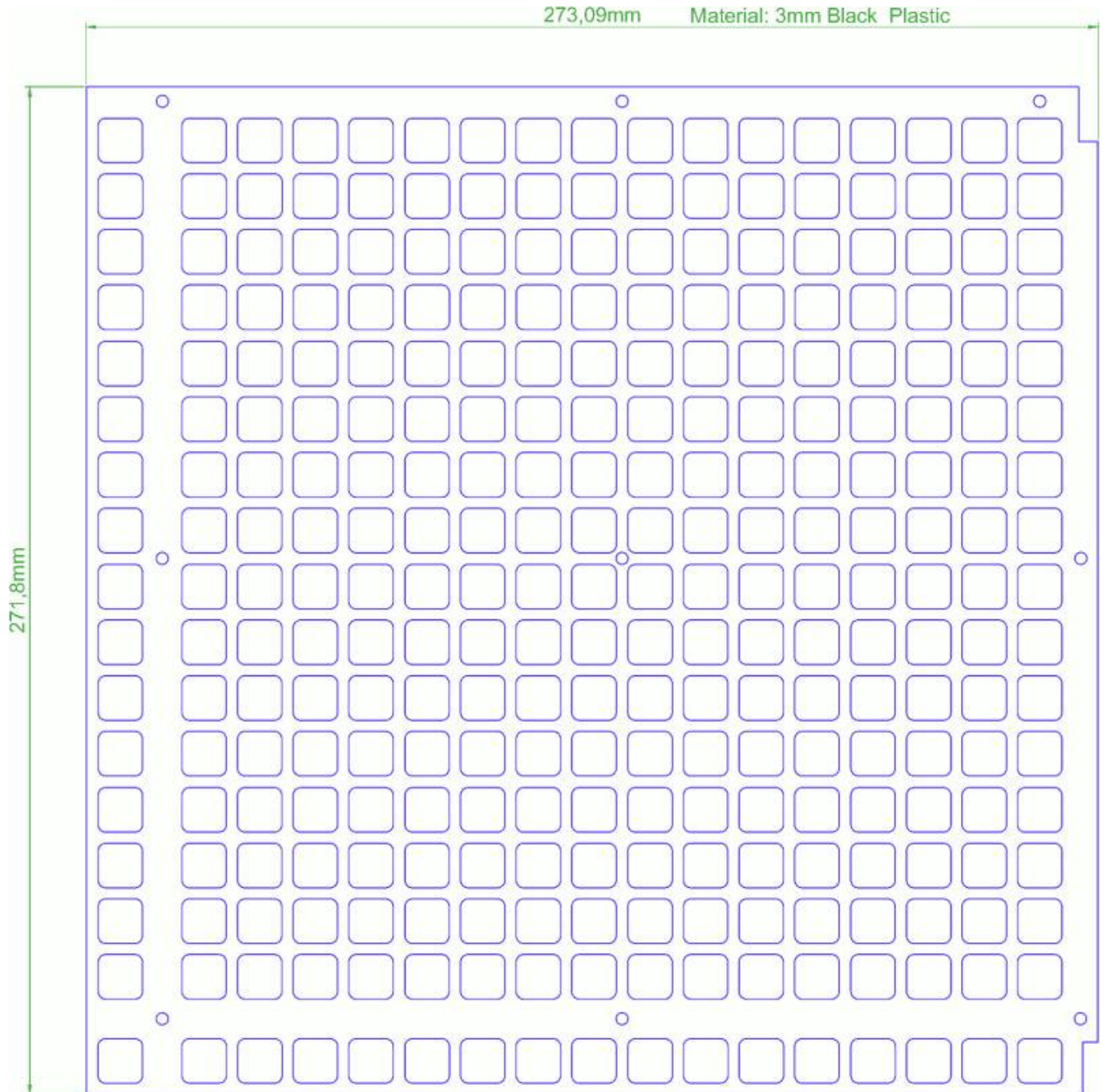
## Groundpanel

[tm5-groundpanel.zip](#)



## BLM-Acrylic Spacer

optimized file for Formulartm5-blm-spacer.zip  
3mm Black Opak Acrylic for example Formulor (EU)  
or ponoko (US)



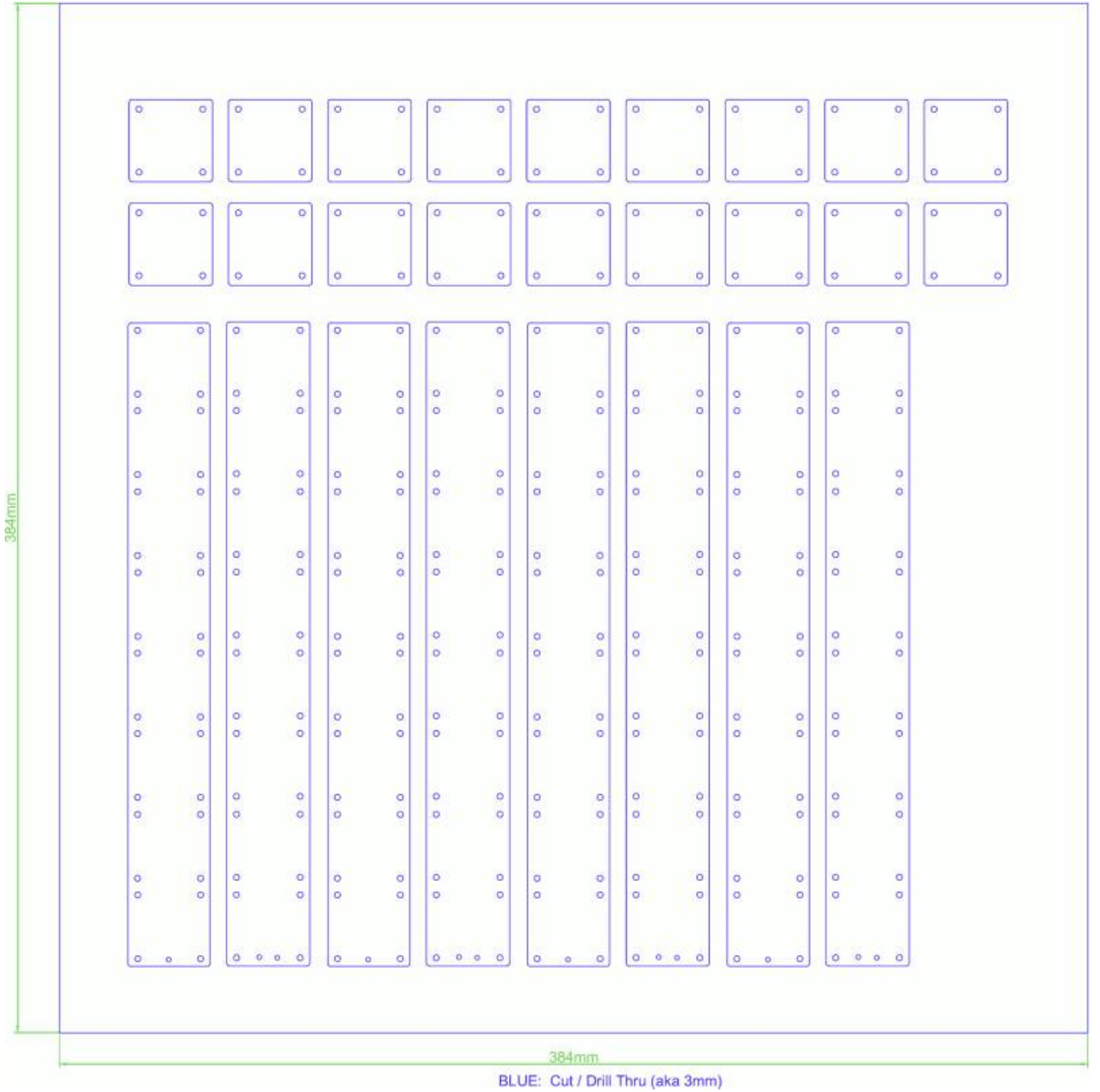
## Protection-Glass for Screens

use 1mm Clear transparent Precision-Acrylic [for example Formulor \(EU\)](#)  
or [ponoko \(US\)](#)

**2 Pairs off Protection Screens, optimized for formular:** [tm5-lcd-protection.zip](#)



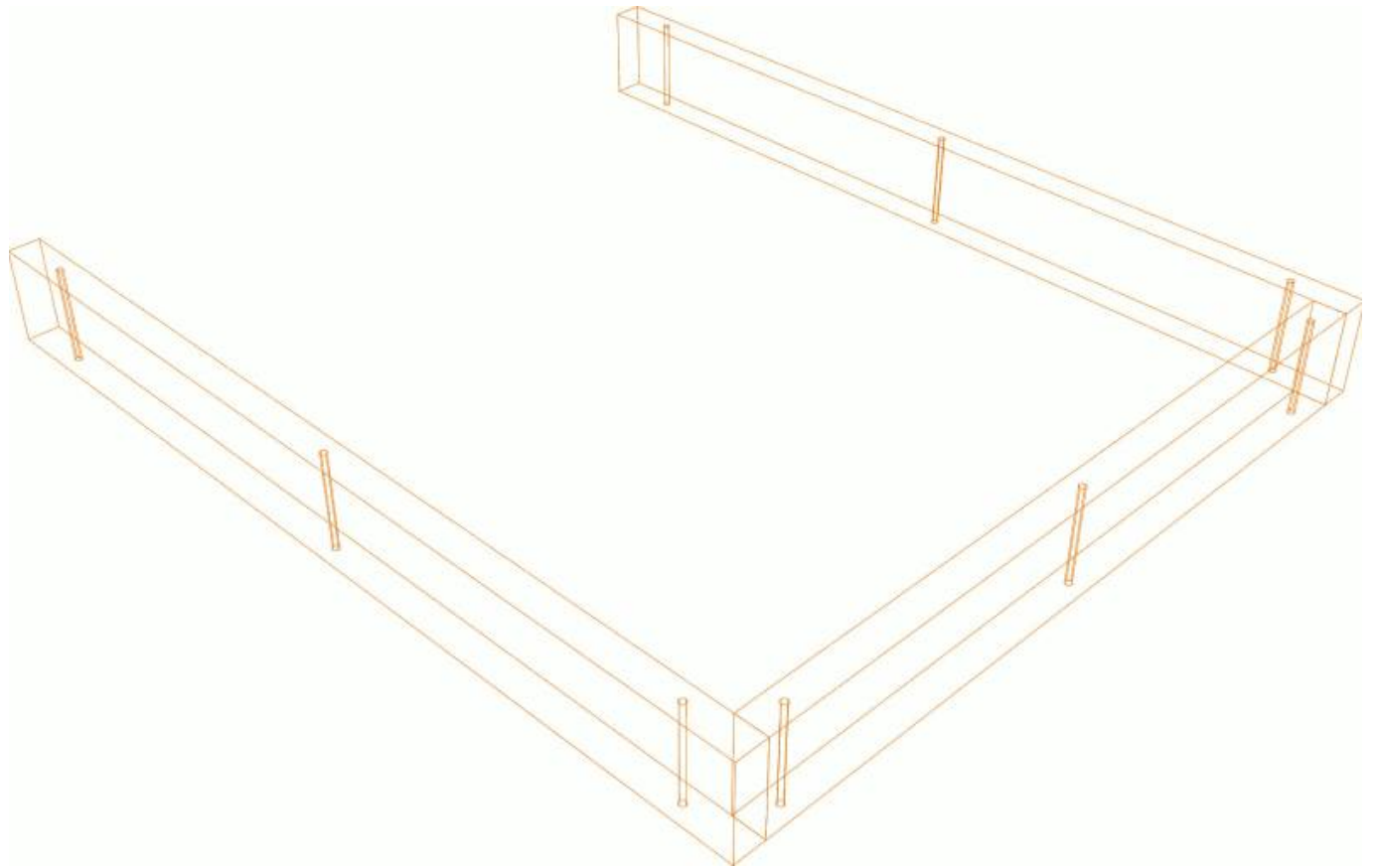
more Protection Screens, optimized for formular: [tm5-lcd-protection-mehrere.zip](https://tm5-lcd-protection-mehrere.zip)

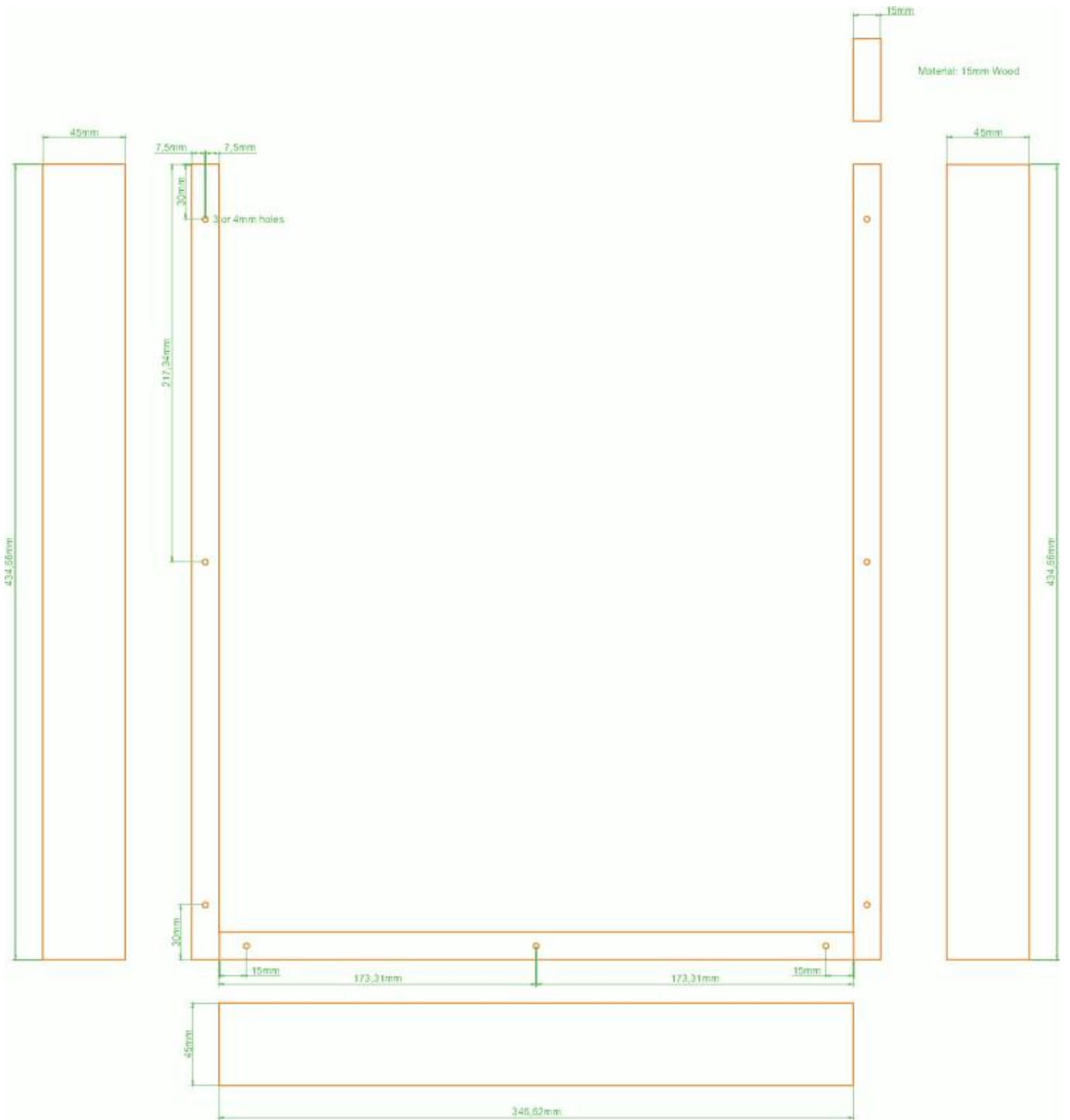




### Wooden Side Panels

3x Wooden 15mm Panels, DIY or ask your local carpenter or hardwarestore





From:  
<https://midibox.org/dokuwiki/> - **MIDIbox**

Permanent link:  
<https://midibox.org/dokuwiki/doku.php?id=tm5-housing&rev=1673567018>

Last update: **2023/01/12 23:43**

