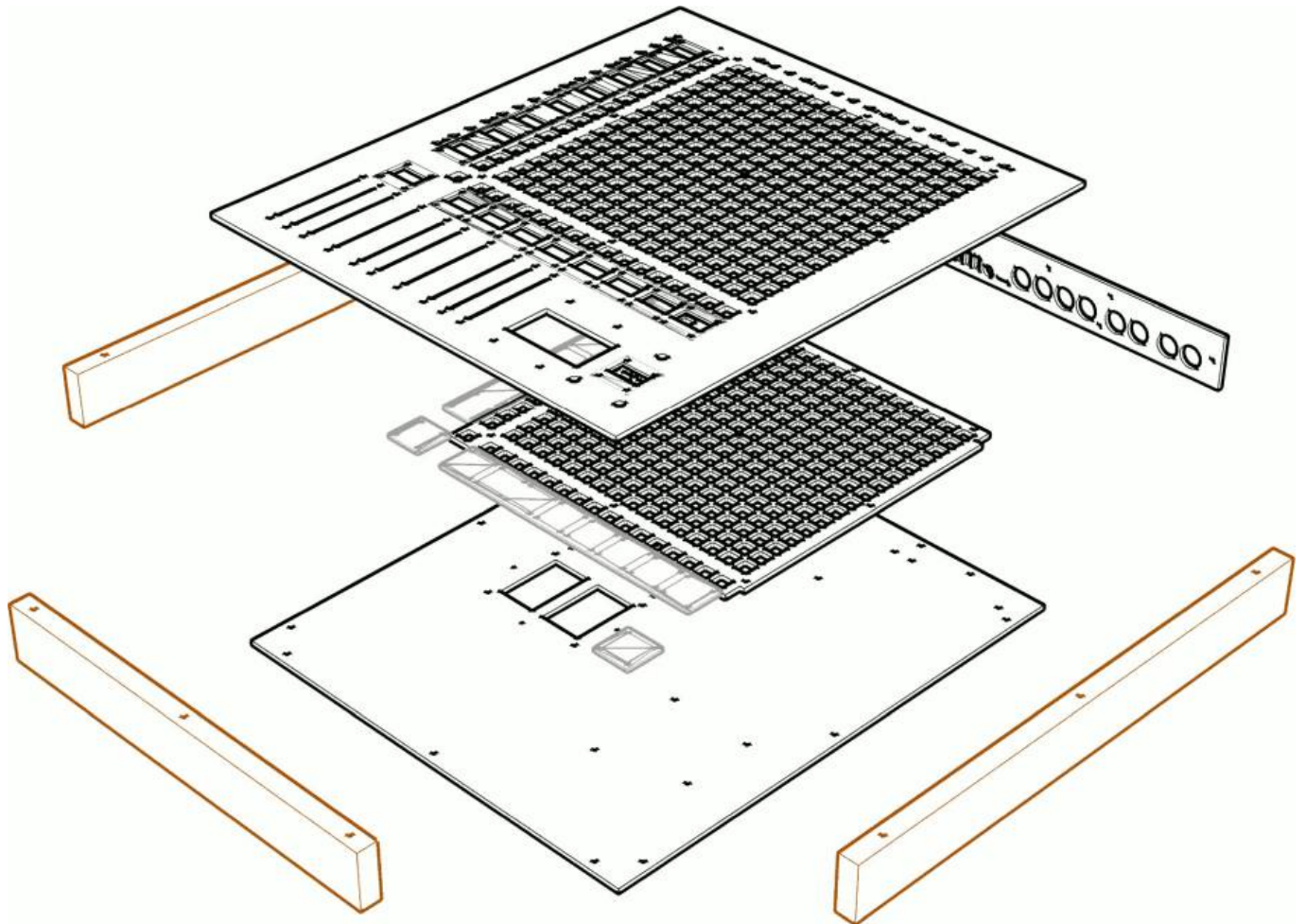


TM5 Housing

this is the Housing for [Triggermatrix5](#)

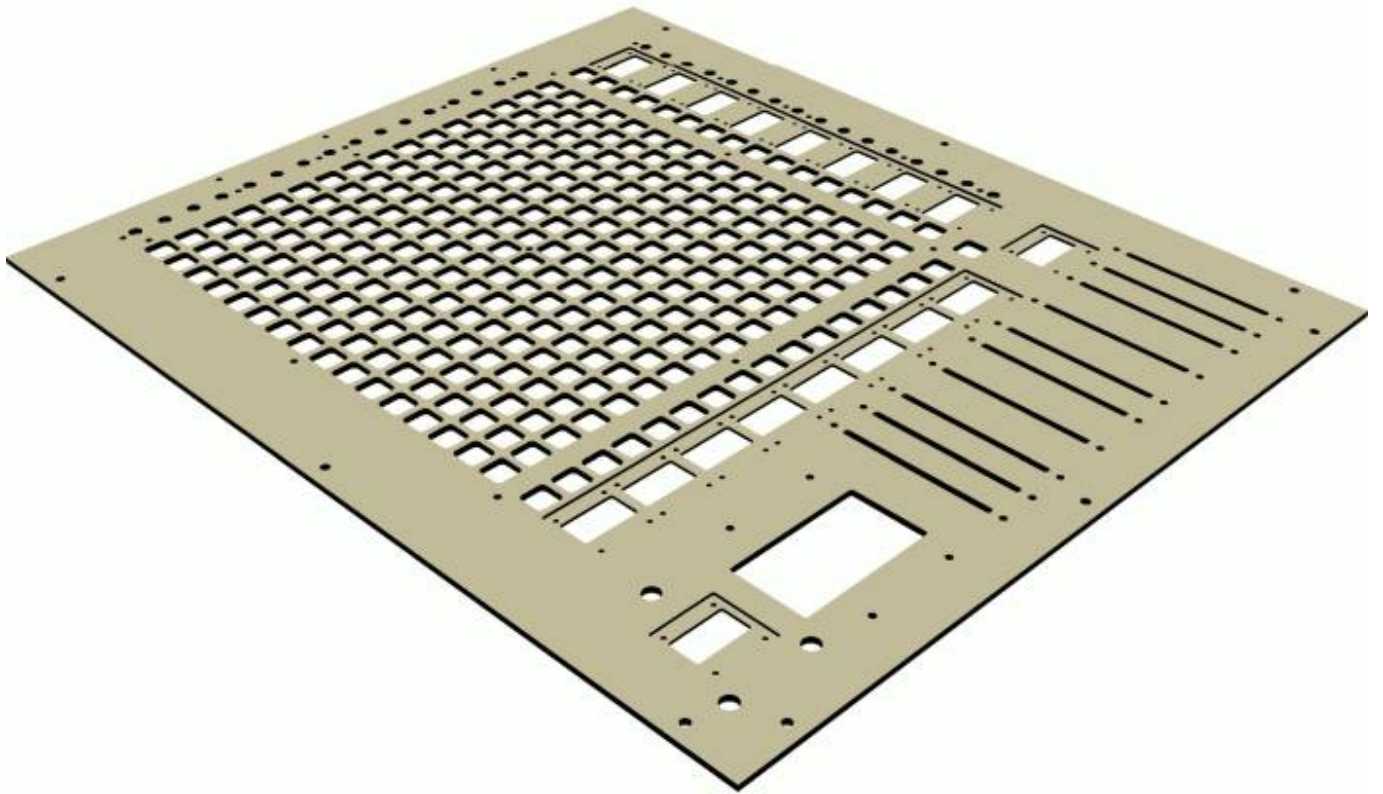


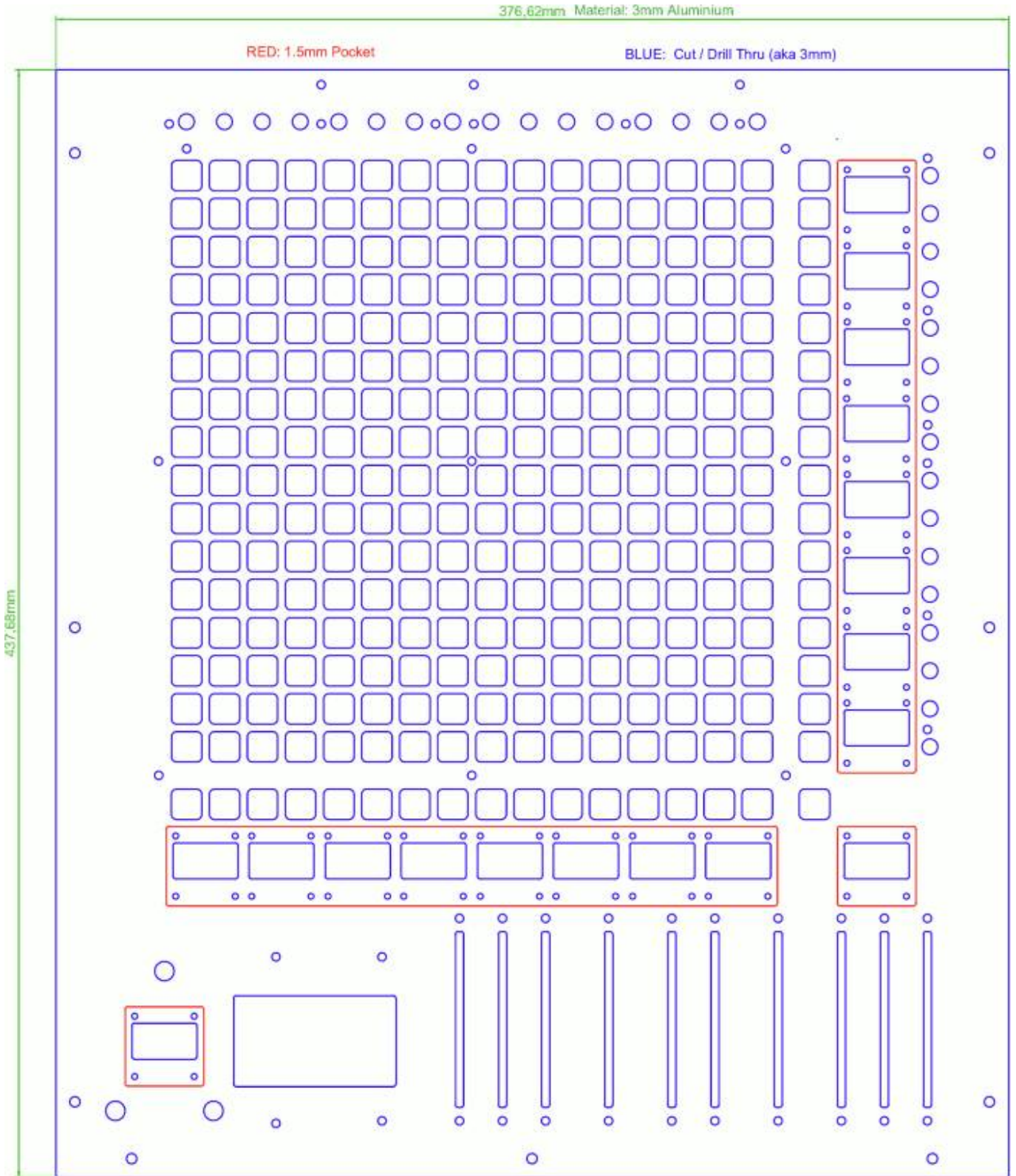
Panels



Frontpanel for Milling

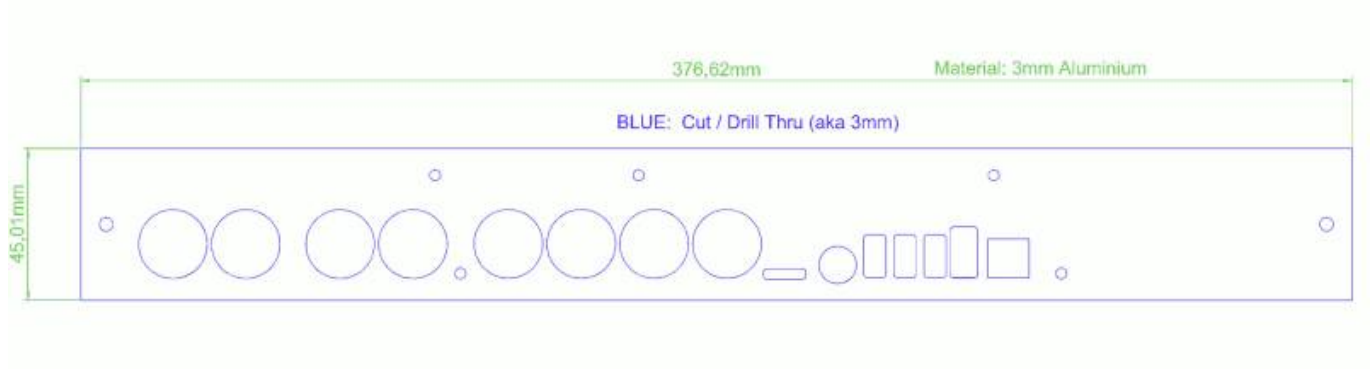
if you own a CNC-Machine, you can use this design, otherwise its cheaper if you leave out those 1,5mm depth Display-Planes, because then you can Lasercut! and thats cheaper
[tm5-frontpanel.zip](https://midibox.org/dokuwiki/doku.php?id=tm5-frontpanel.zip)





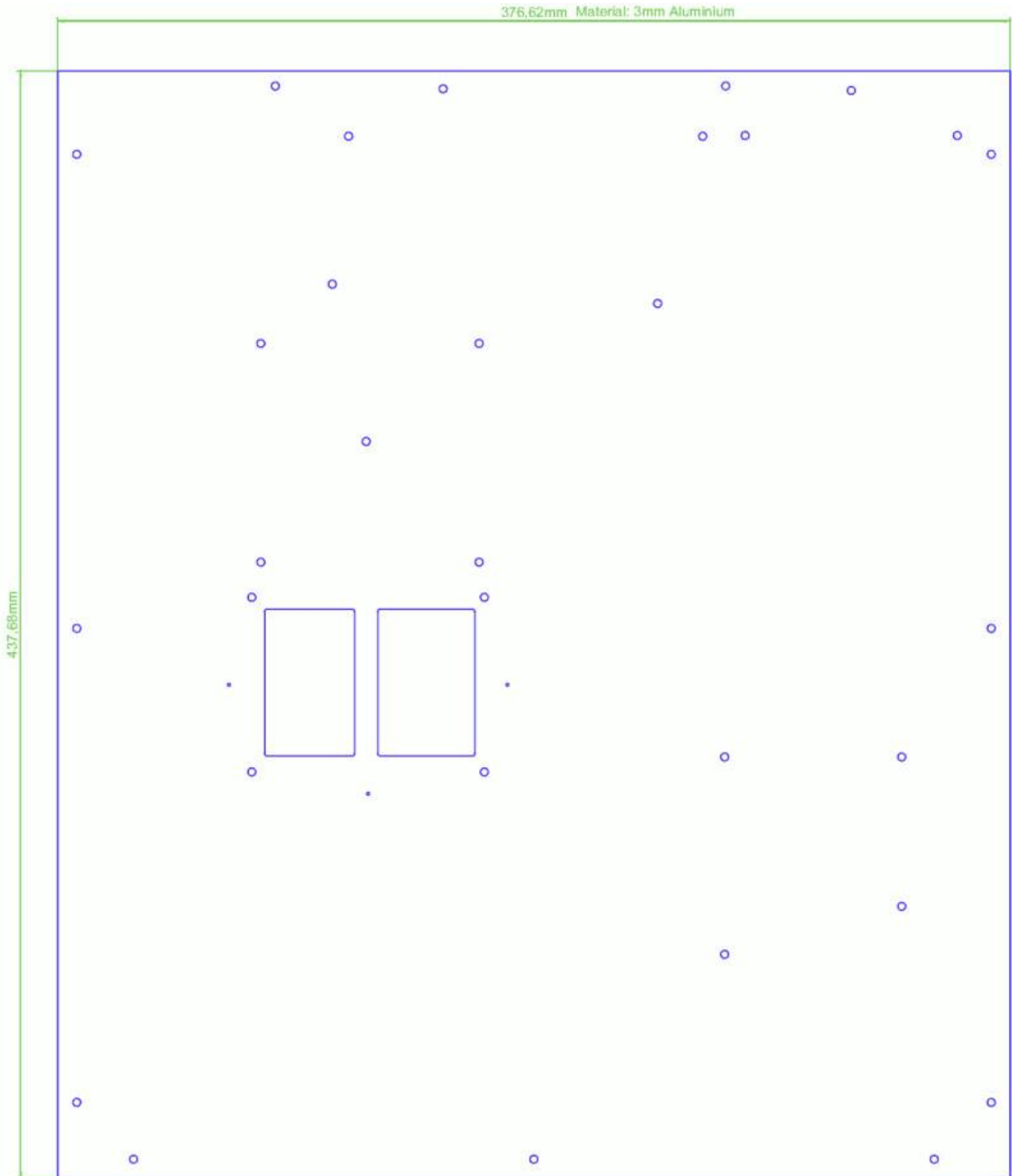
Backpanel

[tm5-backpanel.zip](#)



Groundpanel

[tm5-groundpanel.zip](#)



BLM-Acrylic Spacer

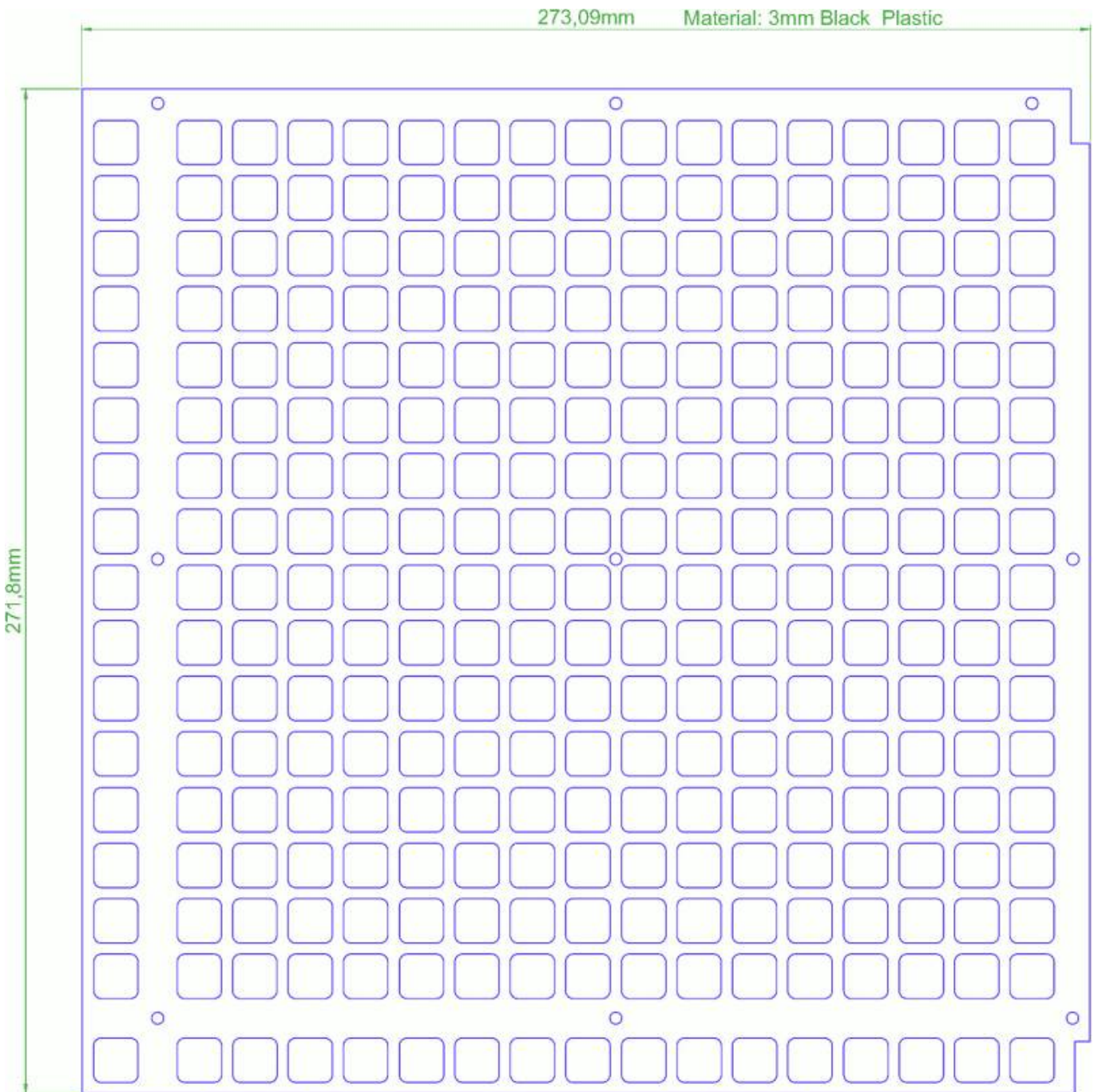
[Formulor \(EU\)](#)

Material: 3,00 mm Acrylglas GS Matt

Color: schwarz, opak (9H01)

File: [tm5-blm-spacer.zip](#)

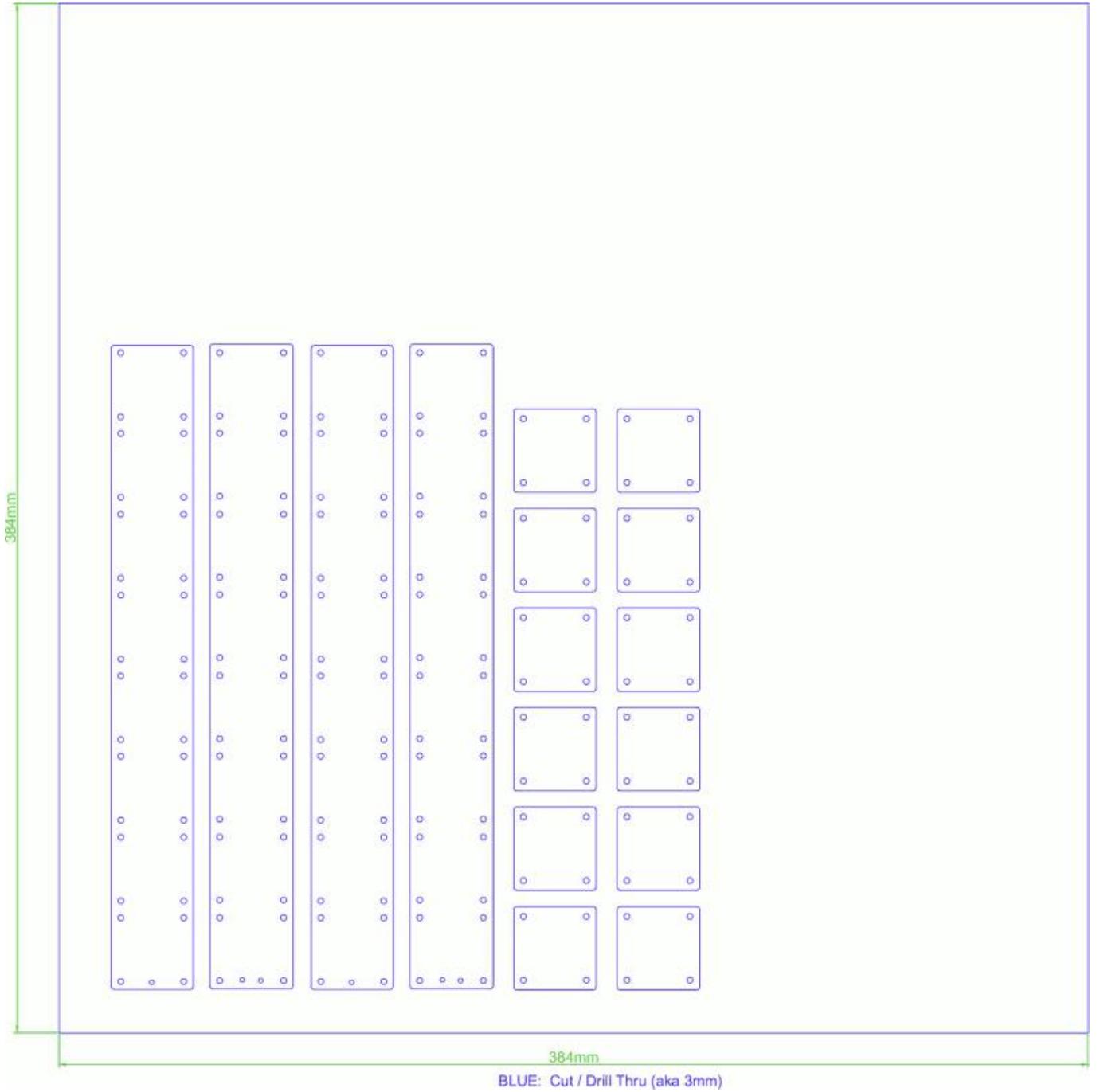
Price: about 72€ incl Shipping from Germany to Austria



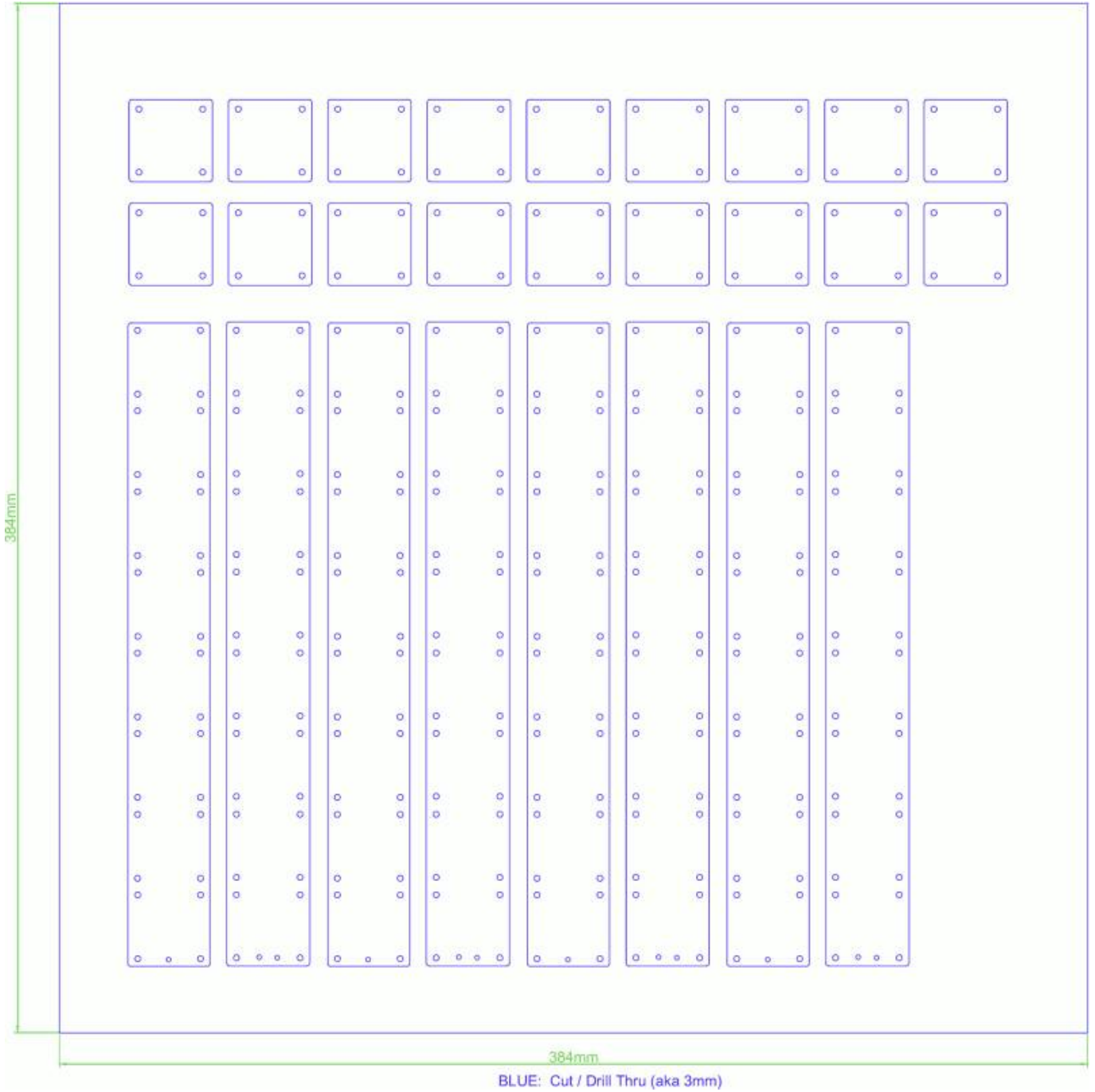
Protection-Glass for Screens

Only needet if you use the Frontpanel-for-Milling-PANEL!!!
use 1mm Clear transparent Precision-Acrylic [for example Formolor \(EU\)](#)
or [ponoko \(US\)](#)

2 Pairs off Protection Screens, optimized for formular: [tm5-lcd-protection.zip](#)



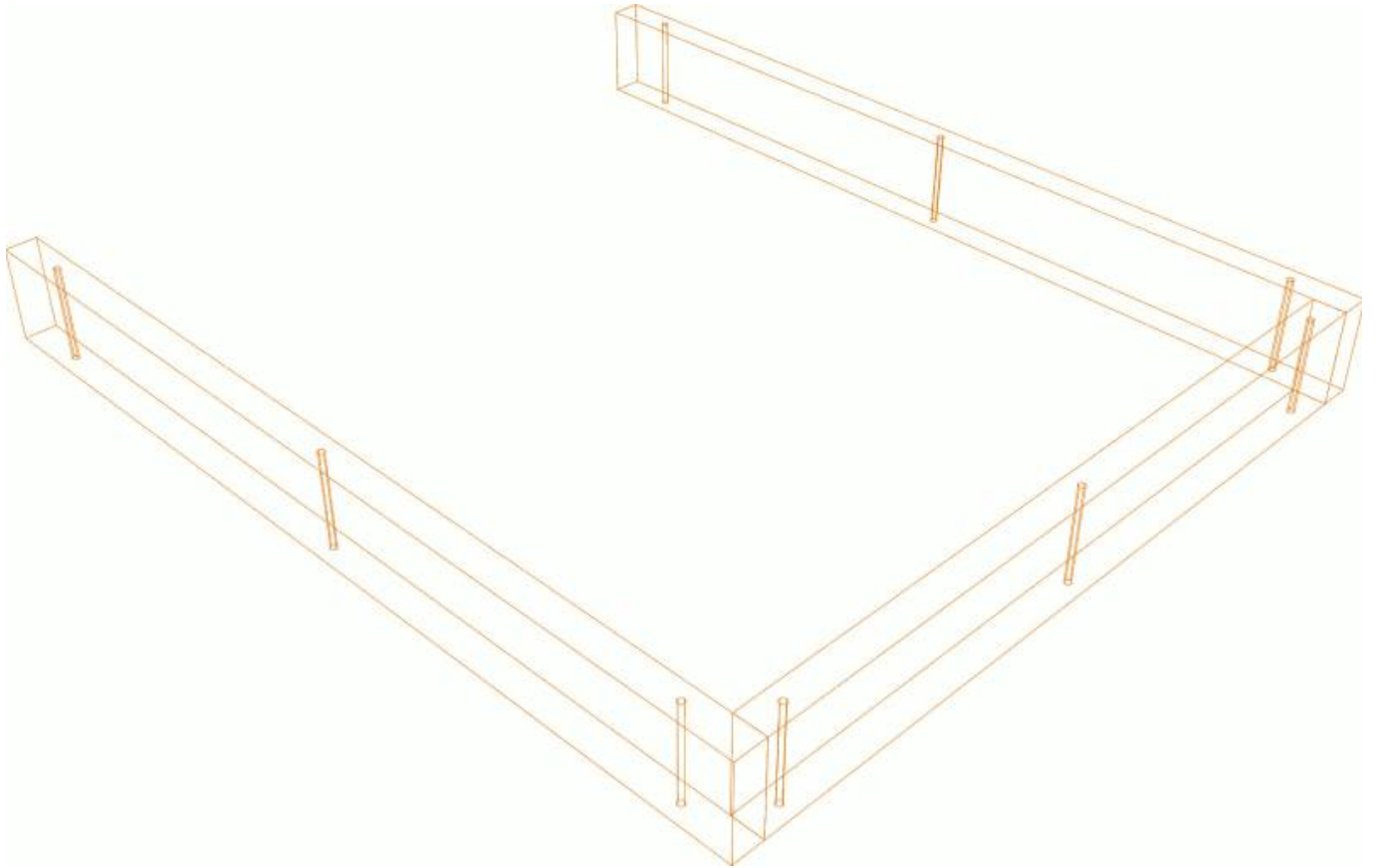
more Protection Screens, optimized for formular: [tm5-lcd-protection-mehrere.zip](https://midibox.org/dokuwiki/doku.php?id=tm5-lcd-protection-mehrere.zip)

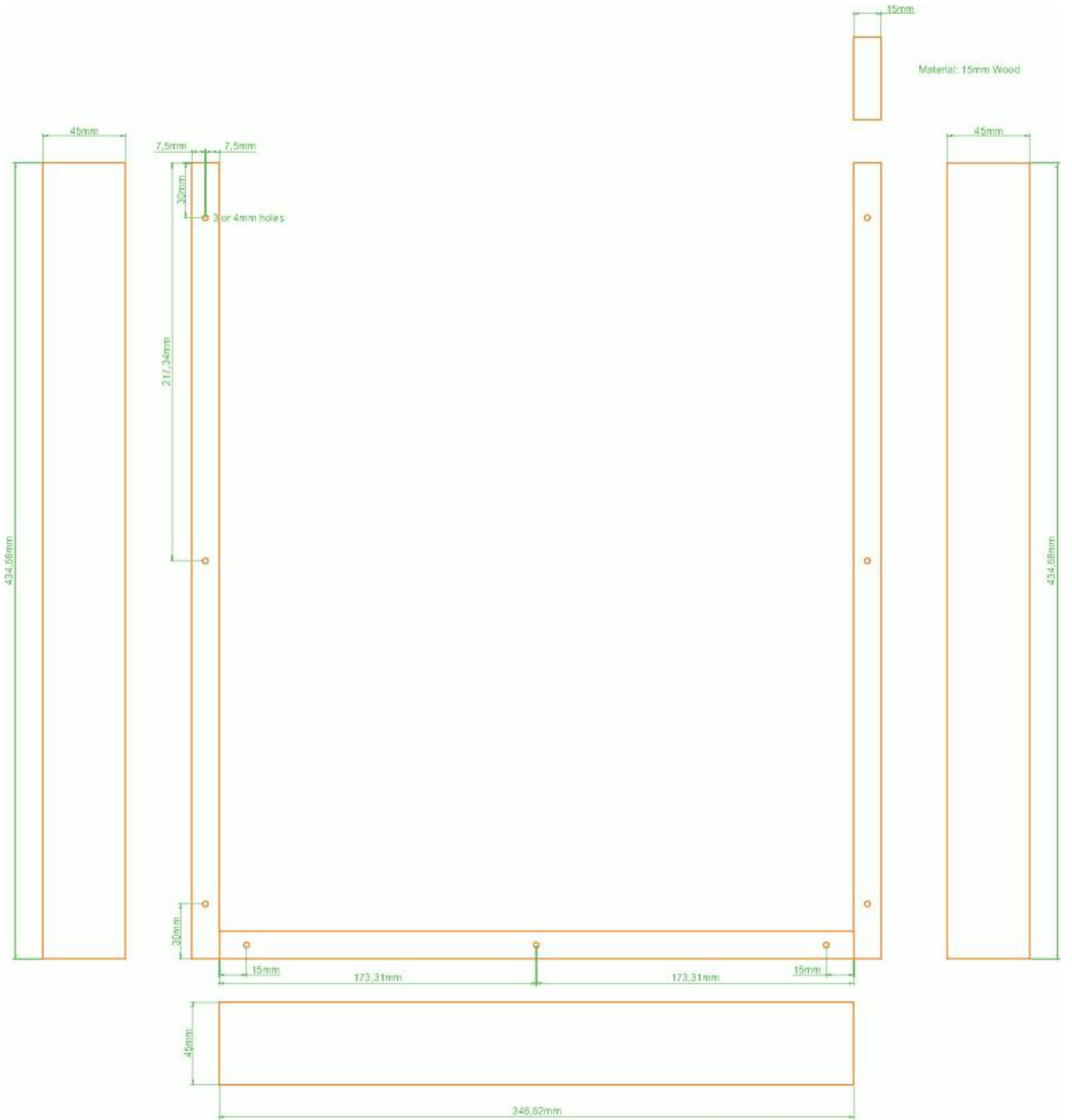




Wooden Side Panels

3x Wooden 15mm Panels, DIY or ask your local carpenter or hardwarestore





From: <https://midibox.org/dokuwiki/> - **MIDIbox**

Permanent link: <https://midibox.org/dokuwiki/doku.php?id=tm5-housing&rev=1674176236>

Last update: **2023/01/20 00:57**

